



21 TRV GS Blower Installation Instructions

(sku 99000163)

Packing List

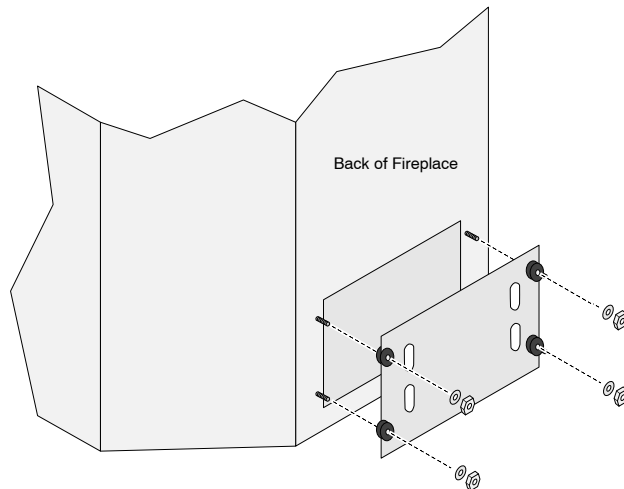
- Blower Assembly
- Wiring Harness
- Rheostat
- Rheostat Nut
- Rheostat Knob
- Snap Disc
- (2) 10-24 Nuts (for blower)

Installation

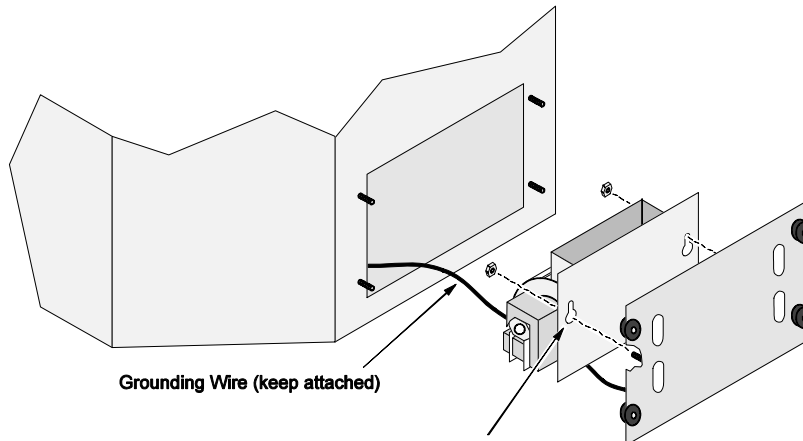
WARNING: Make sure power to the fireplace has been shut off prior to installation (disable the service breaker).
Do not connect 110-120 VAC to the gas control valve or wiring system of this fireplace.

HINT: It is easier to install the blower prior to installing the fireplace. If using the Greensmart™ remote, install it after the blowers are in place.

1. Remove the blower mounting plate on the back of the fireplace (NOTE: If the fireplace is installed and this plate is not accessible, you will need to remove the burner and burner tray to access this area).



2. Attach the blower assembly to the blower mounting plate using the two nuts included with the blower kit.



NOTE: These keyhole slots allow you to first attach the nuts to the studs on the mounting plate, then slide the blower in place and tighten.



21 TRV GS Blower Installation Instructions

(sku 99000163)

3. Attach the wires on the wiring harness labeled "BLOWER" to the blower. Insert the wiring harness into the opening on the fireplace, below the gas control valve.





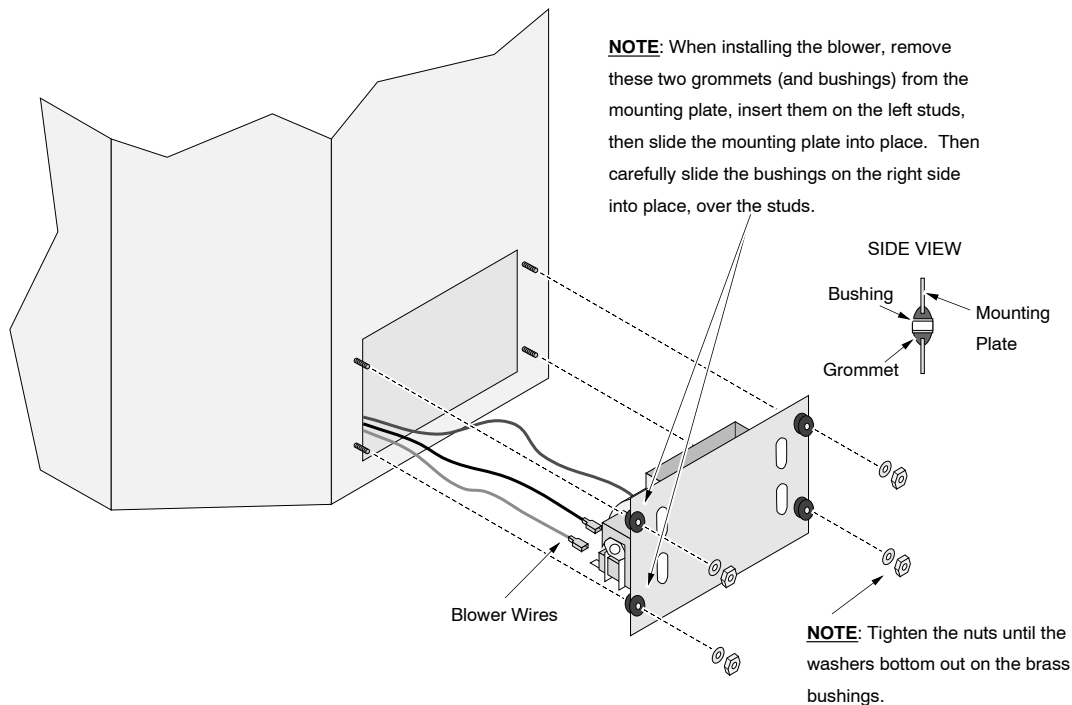
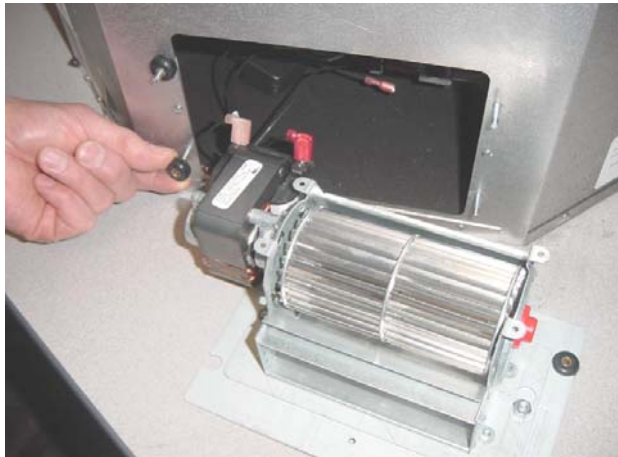
21 TRV GS Blower Installation Instructions

(sku 99000163)

- Remove the two left grommets and install them on the fireplace (see photo below to the left). Then slide the blower into place, making sure the mounting plate is properly aligned. Once in place, secure the plate with the washers and nuts removed earlier.

NOTE: Make sure wiring does not become pinched or come in contact with the blower impellers or any hot surfaces. Use lock-ties if necessary.

NOTE: Make sure the blower does not contact the pilot connections (piezo wire, pilot tube, etc.). If the blower does not install smoothly, you may need to carefully re-position these connections.





21 TRV GS Blower Installation Instructions

(sku 99000163)

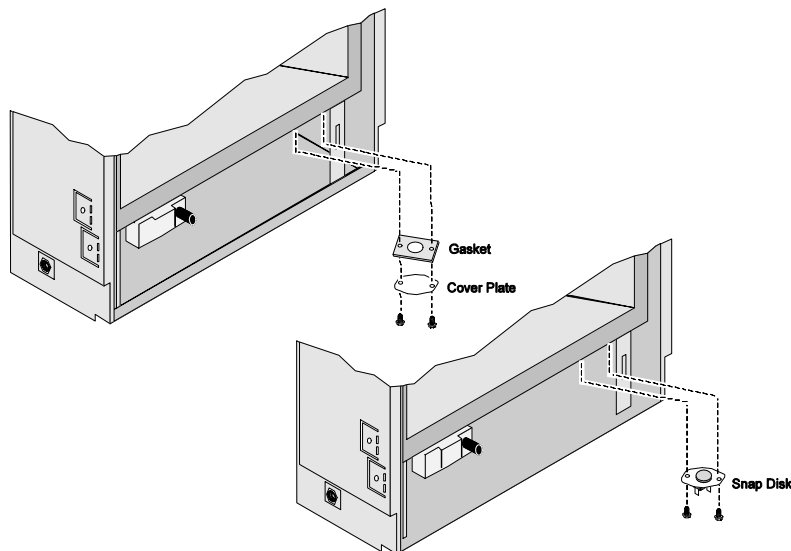
- 5 Unscrew the four screws holding the control cover in place (see photos below). Carefully remove the control cover and place it aside, leaving the wiring intact.



- 6 Pull the wiring harness under the gas valve and through the front.



- 7 Remove the cover plate (and gasket) under the burner. Install the included snap disk and secure using the screws removed earlier.





21 TRV GS Blower Installation Instructions

(sku 99000163)

Special Instructions for GreenSmart™ Remote

If using the Greensmart™ remote, the power input (see step “8” below) will be attached to a power cord and connected to the Fan Controller. See the remote installation instructions for details. In addition, the rheostat is bypassed (see instructions below). These two steps will complete blower installation.

Bypassing the Rheostat - In addition, you will need to bypass the rheostat (the remote controls the blower). This is done by disconnecting and discarding the electrical line that leads from the snap disk to the rheostat (carefully remove the wire tie and “SNAP DISK” label from the wiring harness – see Figure 1 “a”). Attach the lead from the power input to the snap disk (see Figure 1 “b”).

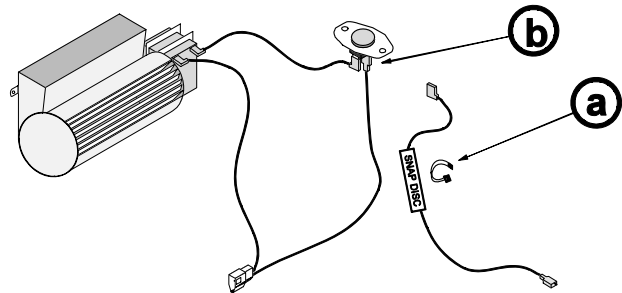
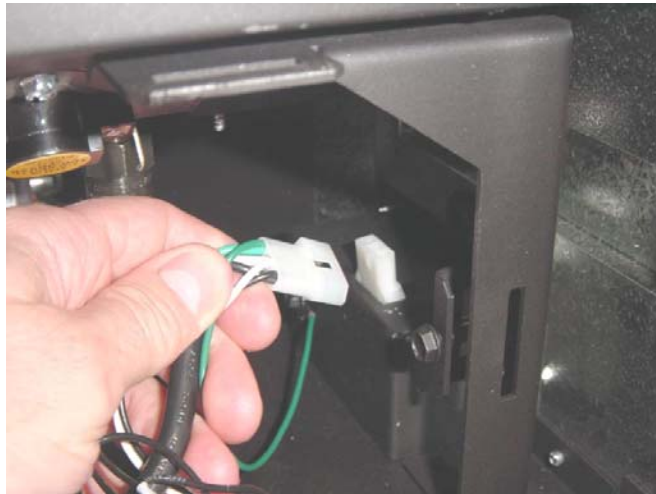


Figure 1

- 8 Attach the power input to the fireplace junction box (it is located near the snap disk – see photo below).



- 9 Connect the wires labeled “SNAP DISK” to the snap disc.

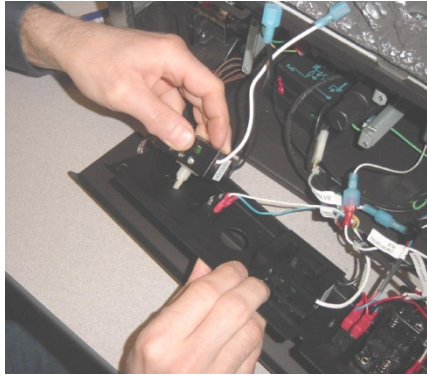




21 TRV GS Blower Installation Instructions

(sku 99000163)

- 10 Attach the rheostat to the control panel and secure using the included nut (see photos below). Place the rheostat knob onto the rheostat.



- 11 Attach the two remaining wires to the rheostat leads (see photo below).



- 12 Replace the control panel and concealment cover and return the fireplace to the correct configuration to complete the installation.