

**CHECK CONDITION OF SHIPMENT**

Upon receipt of this kit, check the condition of the packaging. Damage to the package should be noted on the carrier's freight receipt. Any damage claims as a result of shipping must be handled through the shipper. Travis Industries will provide assistance in resolving shipping claims or replacing items not included in the package. Please report any missing items immediately.

**COMPATIBILITY**

- Lopi Berkshire
- Tree of Life
- Avalon Prairie
- Avalon Cedar
- Lopi Allegiance (2001 model)

**ITEMS NEEDED FOR ASSEMBLY**

- 11/32" Socket Wrench
- 1/4" Nutdriver
- 1/2" Open End Wrench

**PACKING LIST**

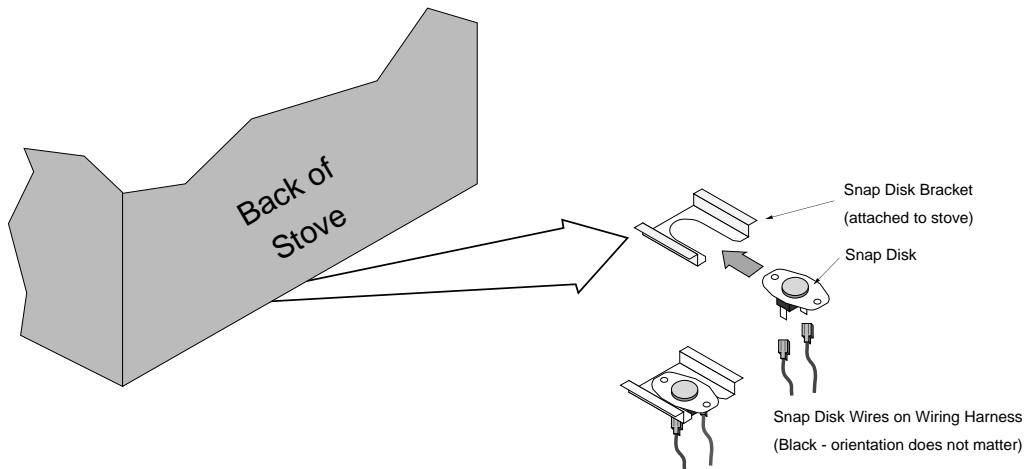
- Blower Assembly
- Wiring Harness
- Thermodisk
- Two Rubber Grommets (with spacers)
- Two Nuts and Washers
- Stud Plate
- Rheostat (with attachment nut & lock washer)
- Rheostat Knob

**INSTALLATION INSTRUCTIONS**

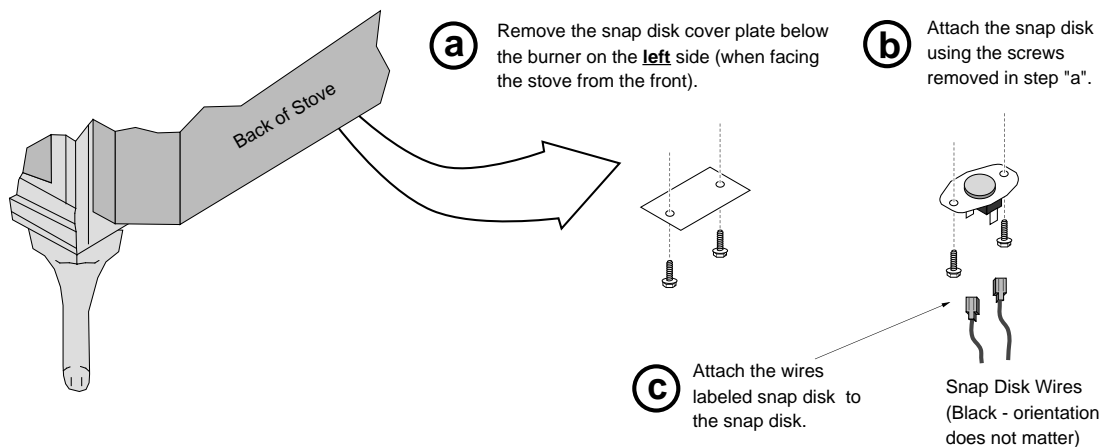
**WARNING:** Turn the gas control valve to off and make sure the appliance has fully cooled prior to conducting service.

- 1 Attach the two black wires on the included wiring harness to the thermodisk (orientation does not matter). Then slide the thermodisk into the holder underneath the burner pan at the right rear of the stove.

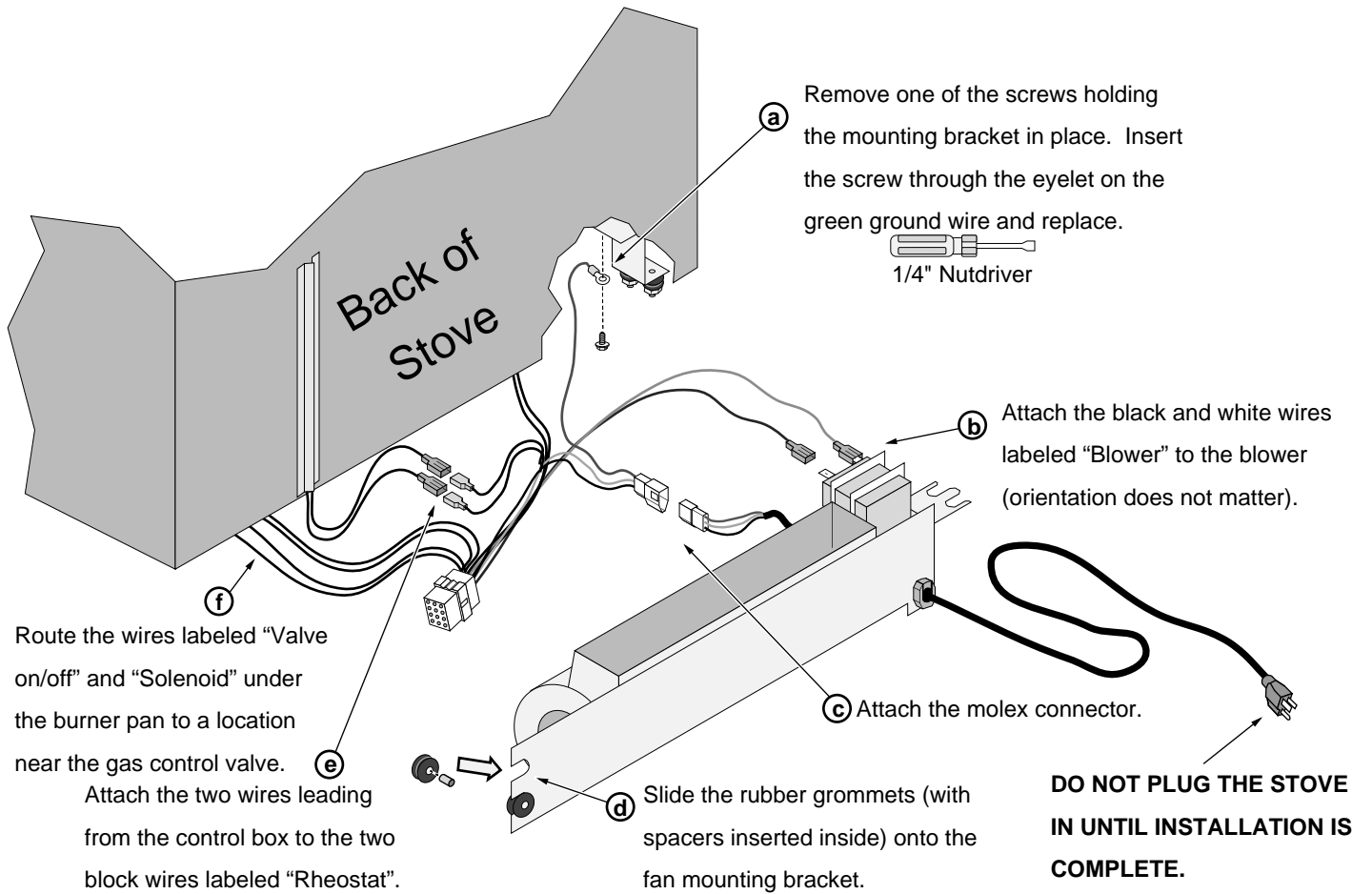
All Models  
Except the  
Tree of Life and  
2007 Berkshire



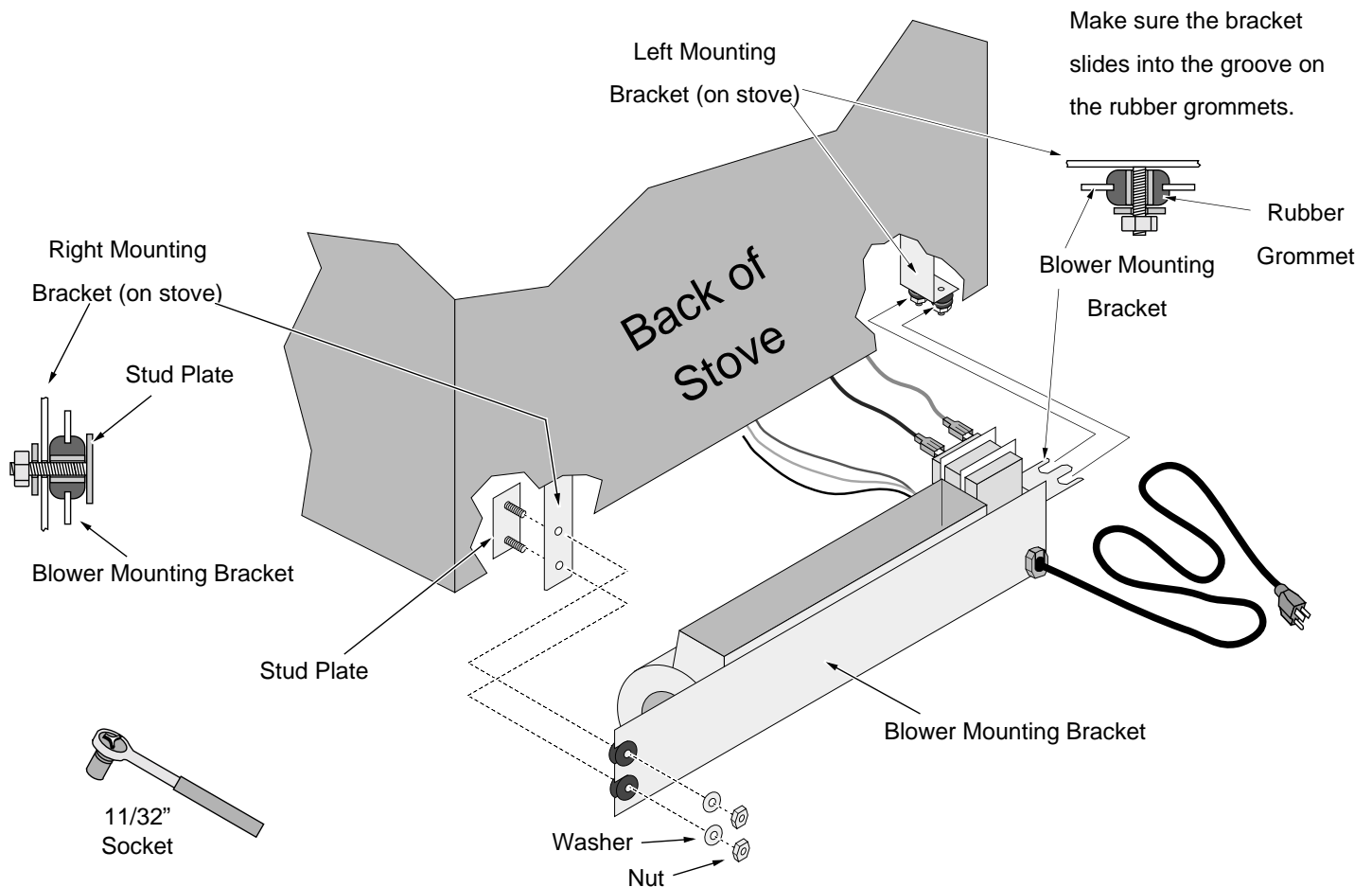
Tree of Life  
and  
2007 Berkshire



2 Place the blower near the rear of the stove. Attach the wiring in grommets following the directions below.



- 3 Slide the left side of the blower mounting bracket over the grommets on the left mounting bracket attached to the stove (see the illustration below). Then insert the stud plate through the right side grommets and through the right mounting bracket on the stove. Secure the stud plate with the included washers and nuts



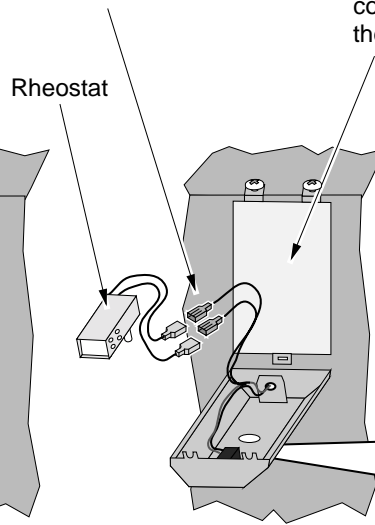
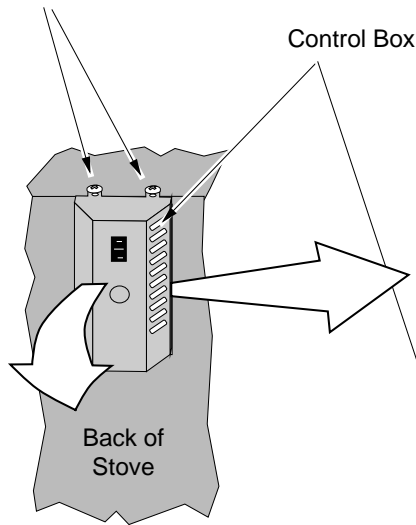
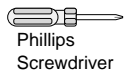
- 4 Make sure all of the wiring is placed away from the blower impeller and the bottom of the burner. Use lock ties, if necessary, to ensure no wires are damaged.

5 Open the control cover following the directions below. Remove the button plug and install the rheostat.

**a** Loosen the two screws holding the control box in place. This allows access to the back of the control box.

**b** Attach the rheostat wires to the two quick connects inside the control box (orientation does not matter).

**NOTE:** make sure the fiberglass heat shield is in place when re-attaching the control box (all models except the cedar).



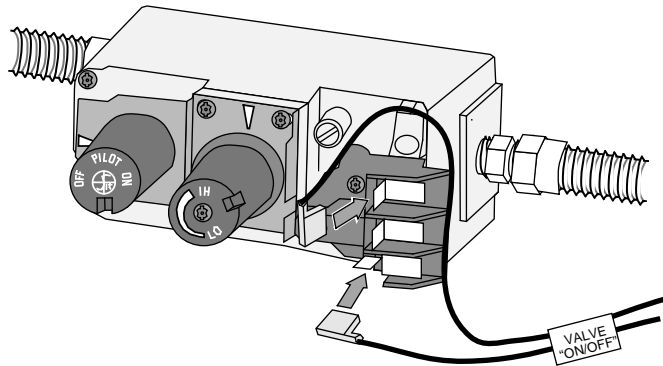
**c** Attach the rheostat to the control panel with the included nut and star washer.



Attach the knob.

**NOTE:** this tab fits into the hole on the mounting bracket.

6 If using the modulating remote thermostat, attach the red and brown wires to the gas control valve.



Attach the red and brown wires to the top and bottom terminals on the gas control

7 Plug the blower in. Let the heater achieve operating temperature and test blower operation.