



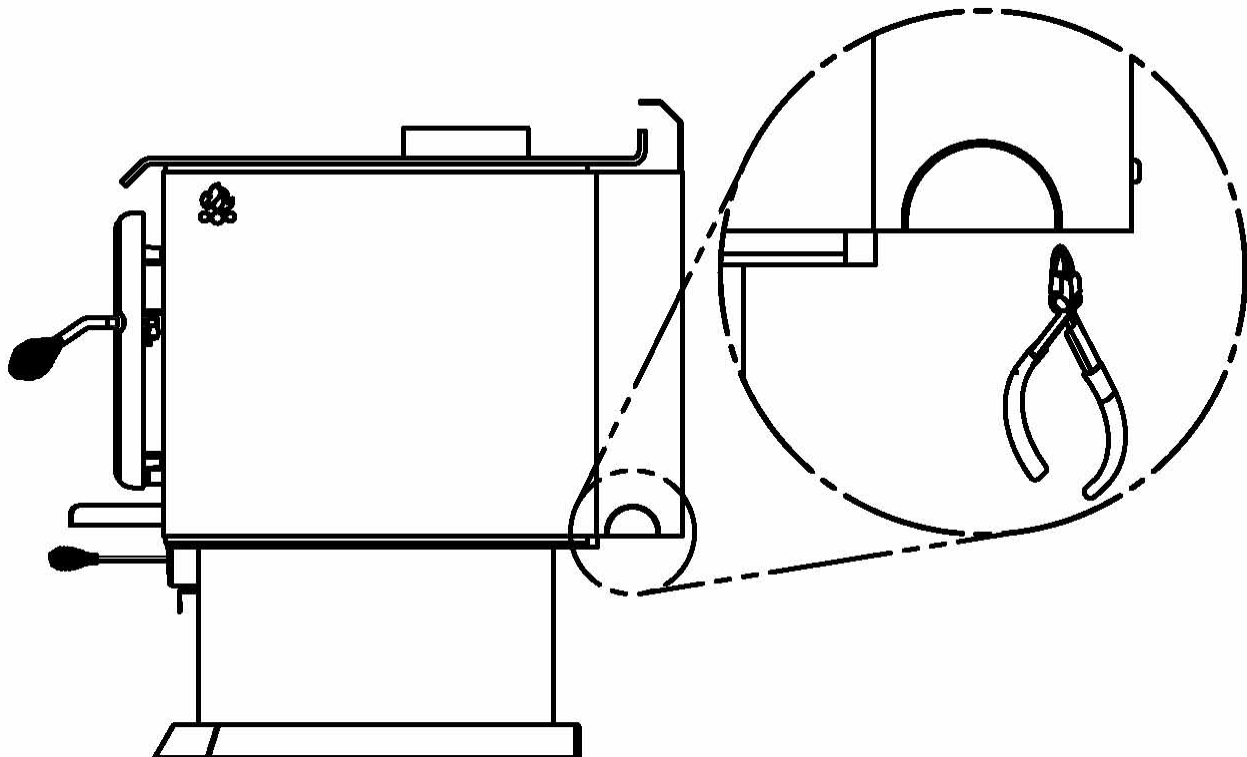
COMBINED FAN INSTALLATION INSTRUCTIONS FOR 2400, 2200, & 1800 STOVE / 1600 INSERT MODELS

COMBINED INSTRUCTIONS

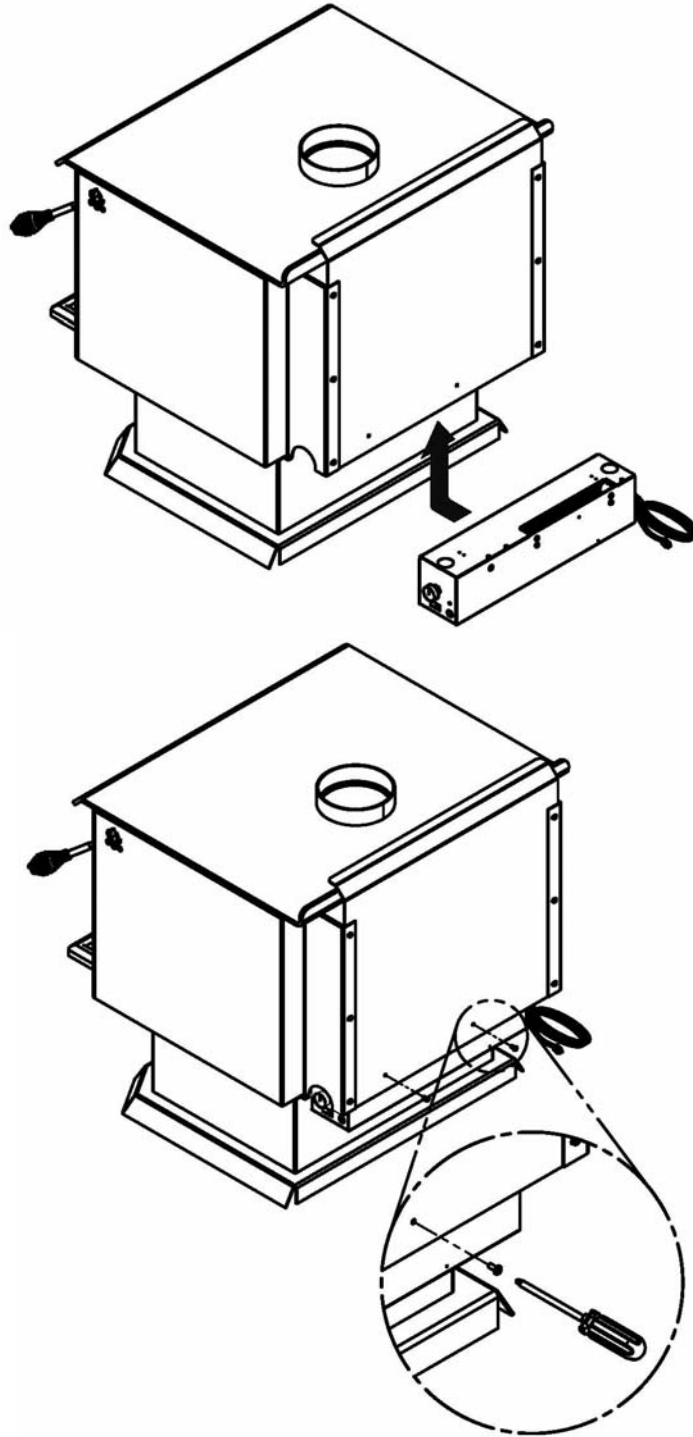
1. Do not operate the fan or plug it in without the fan being permanently installed on the stove (fire) or insert (inbuilt).
2. When the fan is in place, the electrical cord should be routed as close to the floor as possible and outside the hearth, away from the unit and wall clearances. Route the electrical cord away from the unit to prevent damage to the cord insulation. Plug into a standard three prong 110-volt outlet or a 240-volt outlet for use in Australia.
3. Make sure that the fire in the stove is out, and it has cooled down to room temperature before any maintenance.
4. Follow normal instructions to continue burning.

OSBURN 2400 STOVE

1. Using a pair of pliers, break the micro-joints that hold the knockout on the back of the right decorative panel. This opening will facilitate access to the rheostat knob

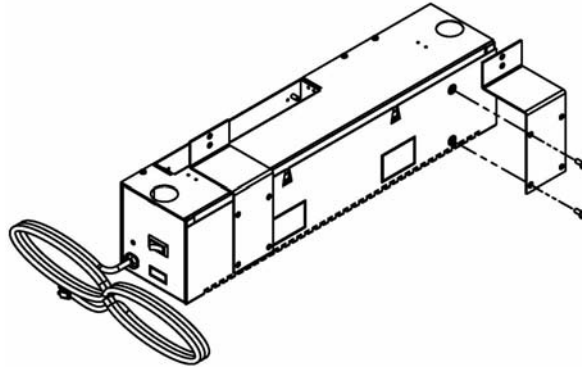


2. Insert the fan assembly between the rear air jacket and rear heat shield and align the two pre-drilled holes in the rear heat shield with the holes on the blower housing and secure the assembly using the two provided screws. The louvers should be at the bottom of the fan housing.



OSBURN 2200 STOVE & OSBURN 1800 STOVE

1. Attach the brackets to the fan housing using the inner holes of the brackets as per the drawing below.



2. Use the four screws provided to attach the other end of the brackets to the rear heat shield of the stove. The louvers should be at the bottom of the fan housing.

OSBURN 1600 INSERT

1. Adjust the clips below the door opening of the firebox so that the shelf fits firmly to the insert.
2. Place the ash shelf onto the fan so that the clips on the underside of the shelf fit into the two rectangular holes (knock-outs need to be removed) on the top of the fan housing. Slide the shelf back so the clips secure the fan housing to the shelf.
3. To attach the fan/shelf assembly to the insert, first remove the loading door, then take the assembly and push the rear lip of the shelf down into the clips on the front of the insert and push down to secure it. Replace the loading door.
4. Take the trim and slide it in between the fan housing and ash shelf.

OPERATION

Allow the stove to reach operating temperature (approximately one hour), before turning on the fan. The increased airflow from the fan will cool the firebox and affect the start-up combustion efficiency if the fan is turned on too quick.

FAN CONTROL

NORTH AMERICA

Variable speed control (rheostat).

AUSTRALIA

Variable speed control (rheostat).

MAINTENANCE & CARE

Clean the fan air inlet screen regularly. The fan should be kept clean and dust free. Life of the fan will be shortened if operated in a dust filled environment or if restricting air supply overheats the fan. Stalling the rotor or over firing the stove or insert with the fan turned off will also damage the fan. The fan must not be overheated nor disassemble. **“ALTERING OR TAMPERING WITH THE FAN WILL VOID THE WARRANTY”.**

ONE YEAR LIMITED WARRANTY

SBI guarantees to the original consumer that the fan will be free of defects in materials or workmanship for one year from the original purchase.

THIS LIMITED WARRANTY IS MADE IN LIEU OF ALL OTHER WARRANTIES, EXPRESSED OR IMPLIED AS TO QUALITY, MERCHANTABILITY, OR FITNESS FOR PARTICULAR PURPOSES.

No one is authorized to make any warranty other than the above limited warranty, nor to make any representations other than those set forth in the brochures of SBI.

The foregoing shall constitute the exclusive remedy of the purchaser and the sole obligations of the company. SBI assumes no responsibility for incidental or consequential damage arising from a defective product.

The appliance is only warranted for the use as intended by the installation and operating instructions, and the warranty will not cover damage due to misuse, over firing, or improper use of fuel. Any defect or damage to the appliance should be reported as soon as possible to avoid consequential or further damage.

SBI shall not be liable for damages due to improper installation, or for removal and reinstallation of the appliance itself for fan servicing. Fans are to be returned to the factory prepaid with proof of purchase.



This manual is available for free download on the manufacturer's web site. It is a copyrighted document. Re-sale is strictly prohibited. The manufacturer may update this manual from time to time and cannot be responsible for problems, injuries, or damages arising out of the use of information contained in any manual obtained from unauthorized sources.

STOVE BUILDER INTERNATIONAL INC.

250, de Copenhague, Saint-Augustin-de-Desmaures (Quebec), Canada G3A 2H3

Tel: (418) 878-3040

Fax: (418) 878-3001