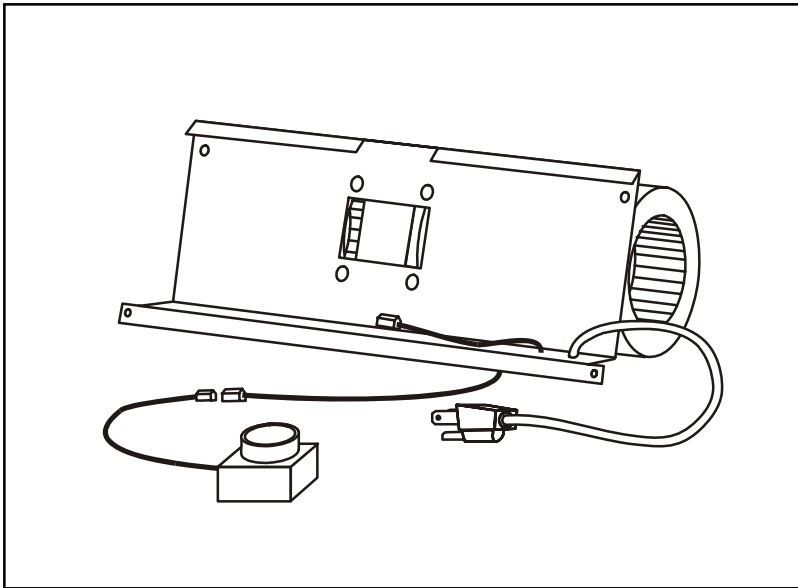


# DelRay

## Installation Instructions



### **RFK1080** **Heat-Circulating** **Cross-Flow** **Blower Kit**

**for use with Rio Pedestal  
freestanding stove**

- *Check local codes and read all instructions prior to installation.*

**Canadian Heating Products Inc.**  
Surrey, BC V3W 2V6

**Montigo Del Ray Corp.**  
Ferndale, WA 98248



# Installing the RFK1080 Blower Kit

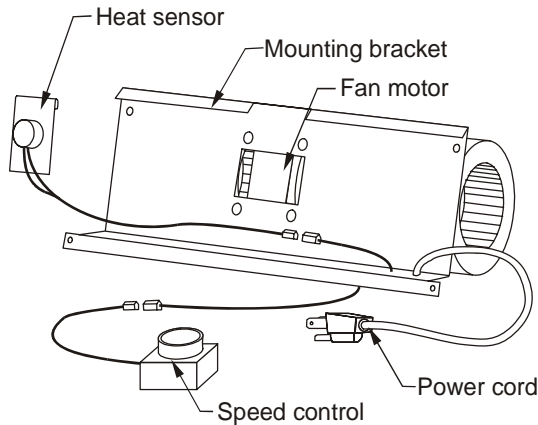
## General Information

This blower kit is for installation on the following models:

- DelRay Rio Pedestal Stove (model WFSP)

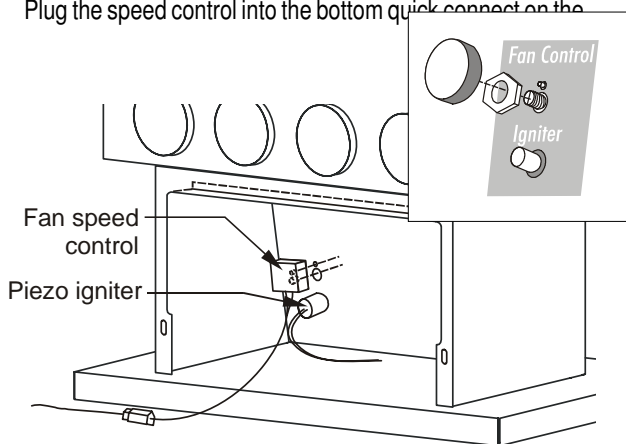
KIT #	Contents
RFK1080	1 x blower assembly 1 x heat sensor / wire harness 1 x speed control c/w knob and locking nut 2 x mounting screws

## Installation



**Figure 1.** RFK1080 Blower and components.

1. Turn off the stove's main burner and pilot burner.
2. Close the gas shutoff valve between the gas supply pipe and the flex connector.
3. Mount the fan's speed control from the back of the control panel. When the control is in position, screw the retaining nut on from the front of the control panel and push the knob in place. See figure 2.
4. Plug the speed control into the bottom quick connect on the



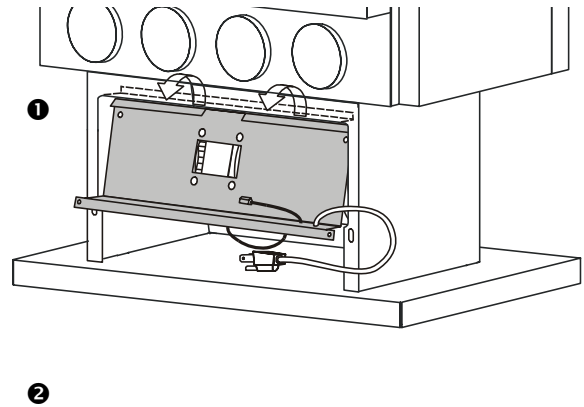
**Figure 2.** Installing the fan speed control. The inset shows how to install the retaining nut and the knob on the front of the control panel.

blower assembly, as shown in Figure 1.

5. Position the blower assembly on the stove's pedestal base. The

mounting bracket hooks over the metal tab at the top of the pedestal base, as shown in Figure 3.

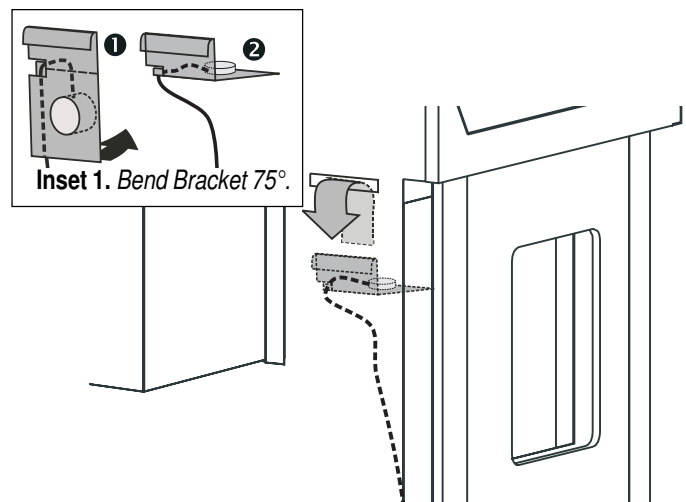
6. Secure the blower assembly with the two screws supplied in this



**Figure 3.** Installing the blower assembly in the stove's pedestal base.

kit. If the blower assembly is correctly positioned, the two screw holes will line up with the slots in the pedestal.

7. Bend the heat sensor mounting bracket approximately 75°, as shown in Inset 1 of Figure 4. Plug the heat sensor into its connector as shown in Figure 1.
8. Attach the heat sensor to back of the stove. A slot is provided for hanging the sensor's mounting plate onto the inside of the stove's back panel. See figure 4.
9. Plug the electrical cord into a 110 V AC outlet.
10. Re-open the gas shutoff valve and re-light the stove.



**Figure 4.** Installing the heat sensor.