

## CHECK CONDITION OF SHIPMENT

Upon receipt of this kit, check the condition of the packaging. Damage to the package should be noted on the carrier's freight receipt. Any damage claims as a result of shipping must be handled through the shipper. Travis Industries will provide assistance in resolving shipping claims or replacing items not included in the package. Please report any missing items immediately.

## COMPATIBILITY

99000137 - Pendleton (745, 790), Rainier (945, 990), and 1196 (with 21" wide ashlip)

99000190 - Olympic (1190)

## PACKING LIST

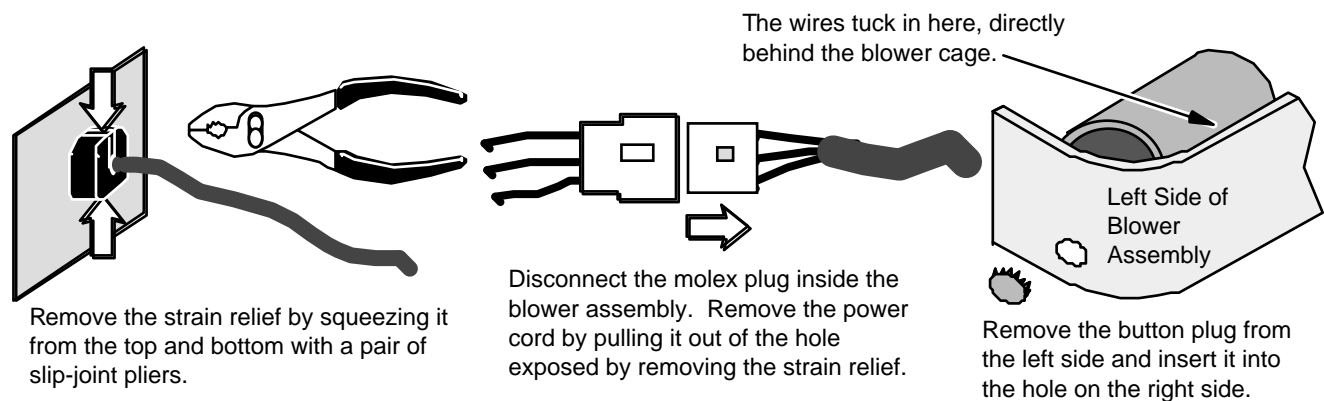
- Front Blower and Snap Disk Assembly
- Power Cord
- Extended Air Control Rod - for the Avalon Rainer (945/990) & Olympic (1190)
- Instruction Sheet

## REQUIRED TOOLS

- Phillips Head Screwdriver
- Slip-Joint Pliers (if switching the power cord to the left side)

### TO SWITCH THE POWER CORD TO THE LEFT SIDE:

Use a pair of pliers to disconnect the strain relief which holds the power cord in place. With the power cord slackened, the molex connectors that attach the power cord to the blower assembly may be disconnected. Pry the button plug from the left side of the blower assembly and insert it into the hole on the right side. Pull the left side molex connector out from behind the deflection plate and cut the nylon tie that holds the wire back. Insert the molex connector on the power cord through the hole on the left side of the blower assembly and attach it to the left side molex connector. Route the wire directly behind the blower cage. Place the strain relief over the power cord (it should be in the same location on the power cord that it was before – approximately 2" from where the wires split). Insert the strain relief into the hole on the left side until the strain relief locks in place. Make sure the power cord, wires, or molex assembly do not protrude into the opening of the blower.

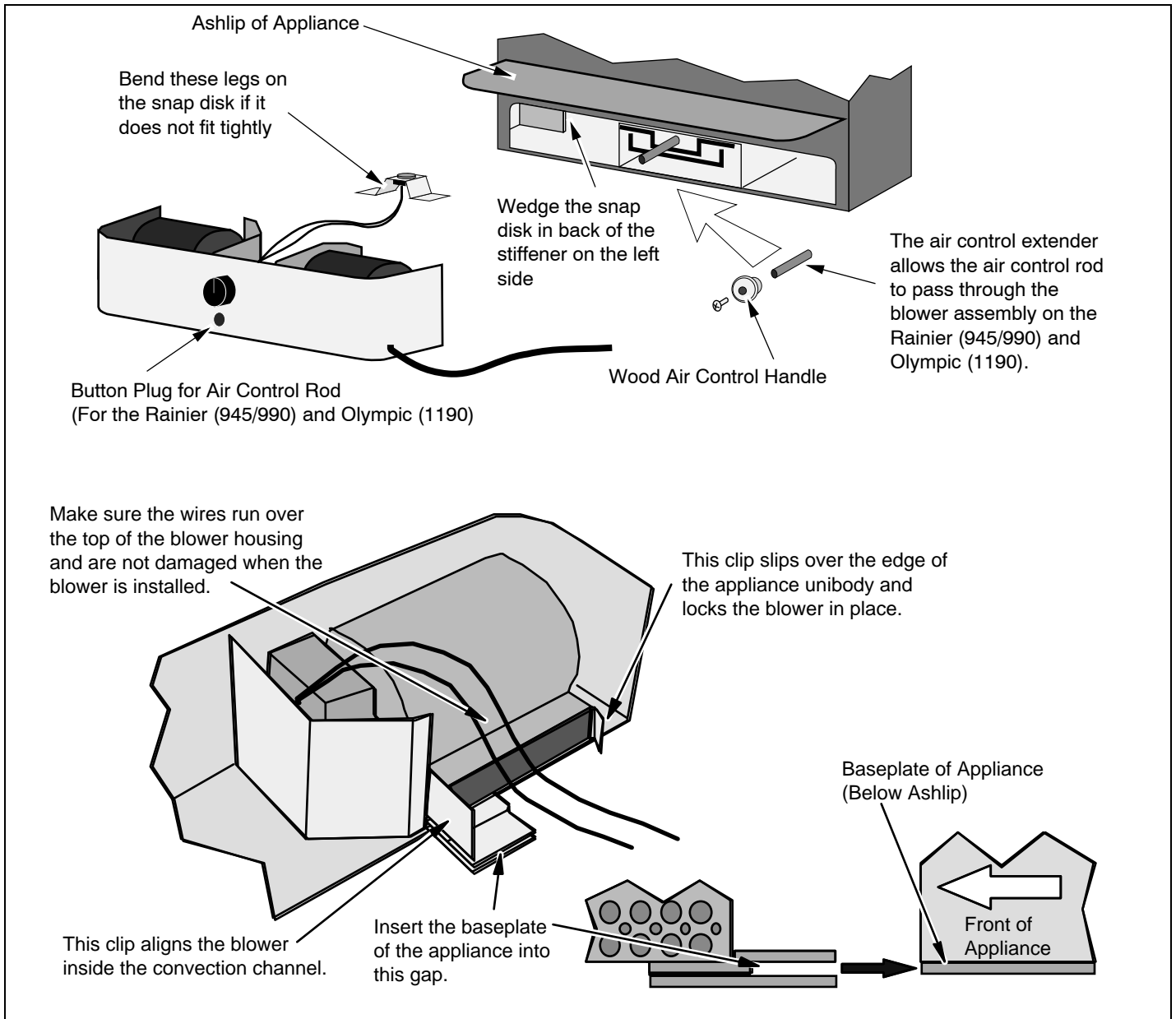


## INSTALLATION INSTRUCTIONS (see the illustrations on the following page)

1. On the Avalon Rainier (945/990) and Olympic (1190), remove the button plug located underneath the control knob on the blower assembly. Remove the wood air control knob on the appliance, located below the ashlip, by unscrewing it with a phillips head screwdriver.
2. Place the blower assembly near the appliance and insert the snap disk into the lower left convection chamber (see the illustration on the following page). It should wedge into position in back of the stiffener on the left side. It does not fit tightly, remove it and bend the metal legs to make it taller. The round disc must be facing upwards and come in contact with the bottom of the firebox for the blower to operate correctly.
3. Before sliding the blower assembly in place, make sure the wires leading to the snap disk are routed above the left side blower outlet (to prevent damage to the wires during installation). Slide the blower assembly underneath the ashlip so the two clips on the lower back edge of the blower assembly slide over the front edge of the baseplate. You should be able to feel the blower assembly snap into place as you slide it in. On the Rainier (945/990) and Olympic (1190), attach the extended air control rod by inserting it into the knock-out on the blower assembly and screwing it onto the threaded rod. Then attach the wood air control knob that was removed in step 1 to the extended air control rod.

# Avalon Front Blower Installation Inst.

See Part Numbers Below



## OPERATION INSTRUCTIONS

The blower will not turn on until the appliance is up to temperature. Once up to temperature, the blower will operate at the speed determined by the position of the blower knob (see the illustration below). The blower shuts off once the appliance cools.

