

Technical Data Sheet

Sterling-HT Model 8532 Blower Installation Guide

Kit Number 95-57320

Publish Date: 06/07/2004

95-57320 KIT COMPONENTS:

- (1) Blower (with Rheostat)
- (1) Shield
- (1) Control Knob
- (1) Pal Nut
- (1) Instructions

TOOLS REQUIRED:

- Cross-tip Screwdriver
- Pliers

Required For Serial numbers 1293 or earlier

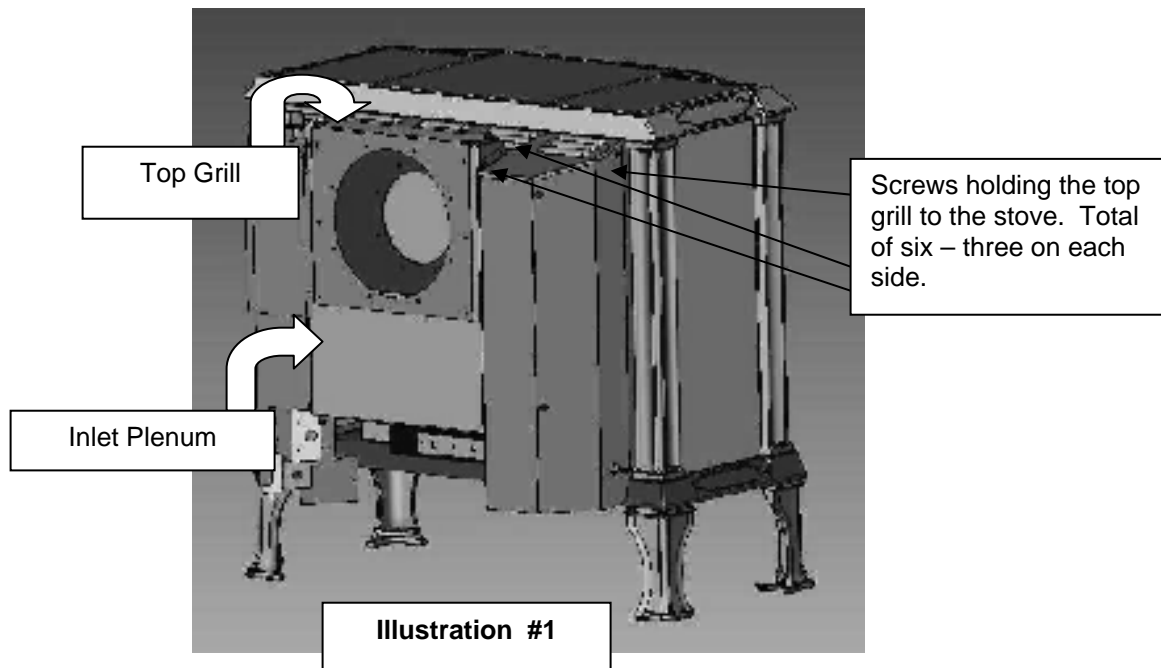
- (1) (Sold separately) Supplemental Bracket (Part number 5953-260) w/ under-cut flathead screws (see page 4 of these instructions).

ELECTRICAL GROUNDING INSTRUCTIONS:

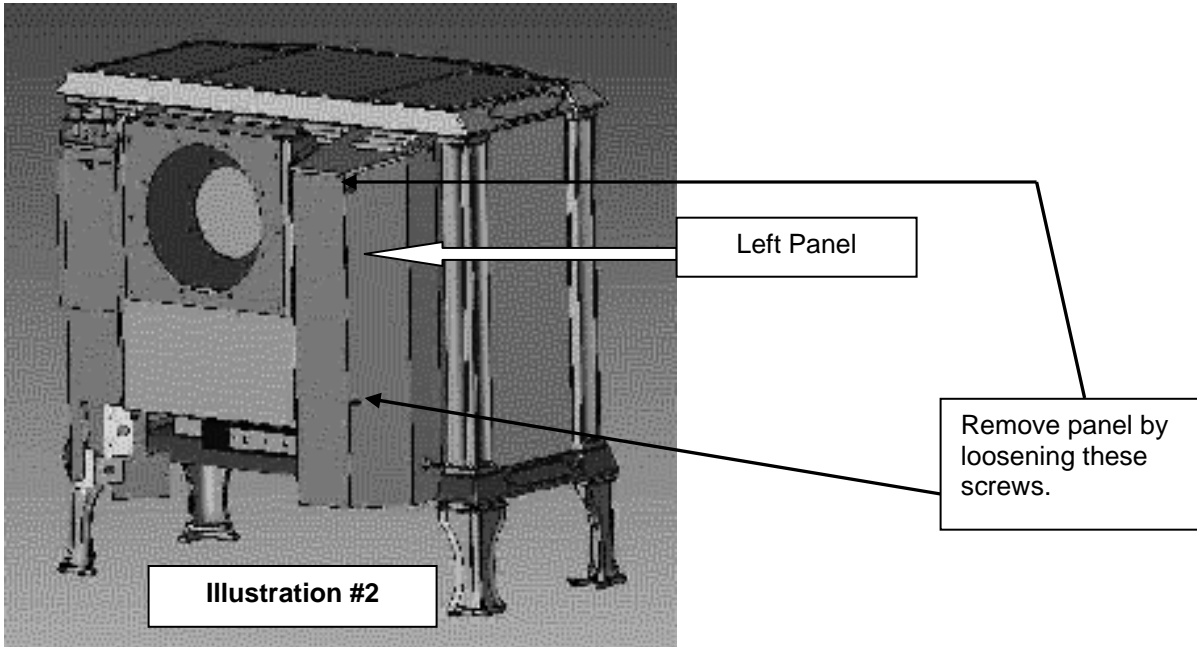
This blower is equipped with a three-pronged (grounding) plug for your protection against shock hazard and should only be plugged into a properly grounded three-prong receptacle. Do not cut or remove the grounding prong from the plug. Unplug the power cord for installation and servicing.

PROCEDURE:

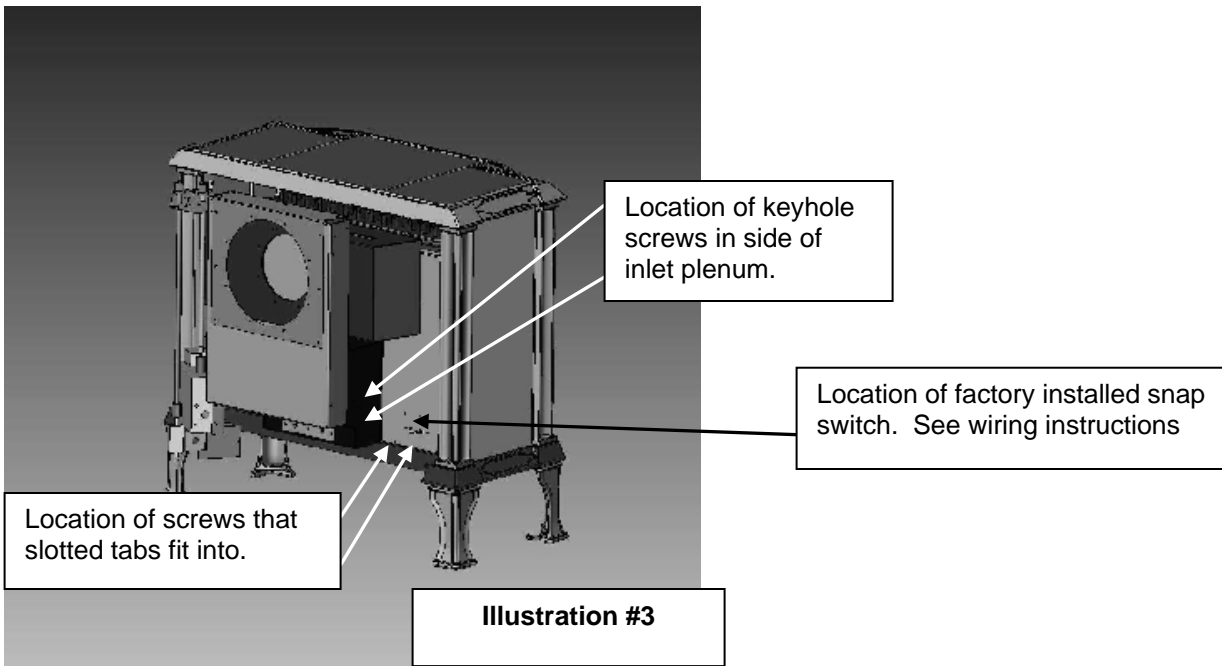
1. Using a cross-tip screwdriver, remove the six screws that hold the top grill plate to the top of the stove on the left side (see illustration #1). Remove only enough screws to allow the left rear panel to be removed from the back of the stove. Leave top grill plate in place after removing screws.

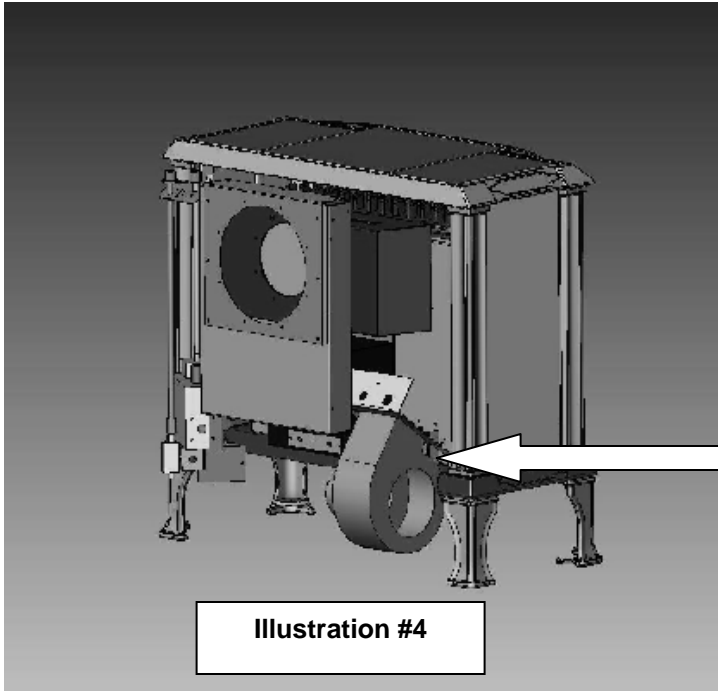


2. Loosen the two screws that secure the left panel (see illustration #2) to the stove back with a cross-tip screwdriver. This will allow you to remove the left panel by lifting it up and through the keyholes.



3. Install the rheostat (speed control) into the two pre-drilled holes in the removed panel by pushing the control stem through the larger hole and then inserting the holding tab into the smaller hole (the stem will be on the outside of the panel – the wire connections will be on the inside of the panel). Place the panel nut over the control stem from the outside of the panel and tighten it with the pliers. Place the control knob onto the control stem. Set the panel aside for now.
4. Mount the blower onto the stove as shown in illustration #4. The two slotted tabs fit onto the screws located in the back bottom of the stove while the keyholes on the side of the blower fit over the screws located on the side of the inlet plenum.





Blower mounted to stove.

Illustration #4

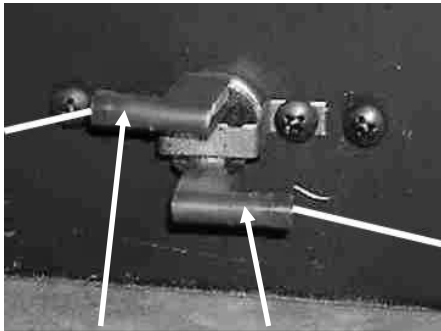


Photo 1
The proper attachment of terminals: top facing left and bottom facing right.
Improper attachment may damage terminals or snap switch.

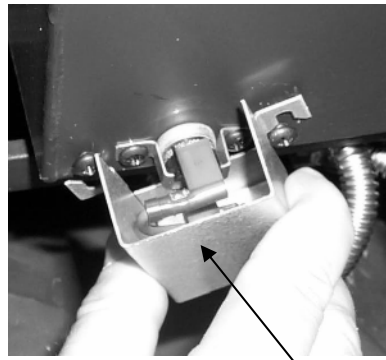


Photo #2
Install the shield over the snap switch. Position as shown; rotate so slots are behind the screws, and secure by tightening the two screws with a cross-tip screwdriver. Route wires through top opening.

5. Reinstall the left side access panel and top grill plate. Secure by tightening all the screws with the cross-tip screwdriver.

BLOWER OPERATION: The blower will not run until the stove body's temperature rises and activates the snap switch (approx. 120 degrees F). Turn the control knob clockwise to turn the blower on. The blower is on high when the switch is turned on. To reduce the blower speed, continue to turn the switch clockwise.

If your stove serial number is 1293 or lower, you will need to use the supplemental bracket (sold separately - part number 5953-260). See photos below.



Photo 3

Remove screws and attach supplemental bracket with flat head screws provided in this kit. (Bracket shown unpainted and stove parts removed for clarity.)



Photo 4

Attach main blower bracket to supplemental bracket as shown by placing over hooks and pushing down. Main bracket is shown without fan for clarity.