

Technical Data Sheet

Installation of the Blower on the Champlain 8302 Model Gas Stove *Kit Number 93-57020*

IMPORTANT NOTE: Use this kit on the Champlain 8302 only. Do not use it on the previous versions of the Champlain.

Publish Date: 06/17/15

KIT CONTENTS:

(1) Blower Assembly

Zip Bag Contents:

(1) Control Knob (7200-602)

(1) Lock Screw (4500-3434)

TOOLS REQUIRED:

Phillips tip Screwdriver

1/4" Open/Box Wench

Note: The following are attached to the blower assembly: Power Cord, Snap Switch Connectors with Shield Cover, and Rheostat (See Photo # 1 – Blower Assembly).



Photo #1- Blower Assembly

ELECTRICAL GROUNDING INSTRUCTIONS:

This blower is equipped with a three-pronged (grounding) plug for your protection against shock hazard and should only be plugged into a properly grounded three-prong receptacle. Do not cut or remove the grounding prong from the plug.

BEFORE YOU BEGIN:

ONLY WORK ON A COOL STOVE! Read this entire instruction sheet before beginning installation. Be sure you have enough room to work on the back of the stove. Depending upon installation configuration, it may be necessary to disconnect the stove and move it away from the wall. If this is the case, conform to all state and local laws regarding disconnection of gas supply lines. It may be required to contact a licensed plumber, gas technician or other properly certified individual to perform this function in your area.

PROCEDURE:

1. Place the blower on the floor behind the stove with the two mounting tab pointing up vertically and the two short electrical component leads facing the front of the stove (see Figure #1)
2. Push the rheostat box under the stove toward the front of the unit.
3. Remove the top casting and set aside.
4. Remove and retain the three left rear cover screws indicated by circles in Photo #2. **NOTE:** It is necessary to partially rotate the label mounting tab clockwise to access the bottom cover screw (see Photo #3).

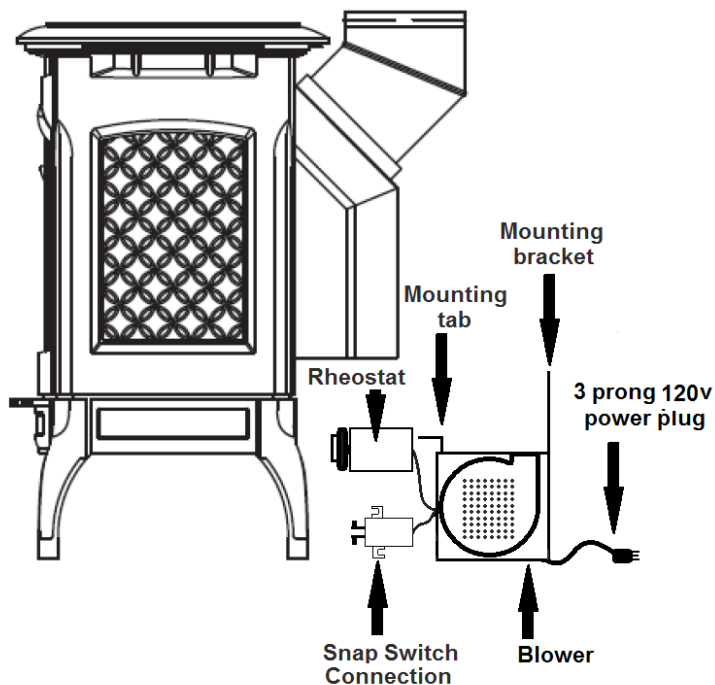


Figure #1 – Blower Orientation



Photo #2 – Left Rear Cover Screws

5. Remove and retain the two screws immediately to the right of the air shutter assembly (see Photo #3).
6. Install the Blower housing onto the stove body by lifting the front of the blower housing up and sliding forward until the front blower mounting tab engages in the mounting slot under the rear center of the stove (see Photo #4).

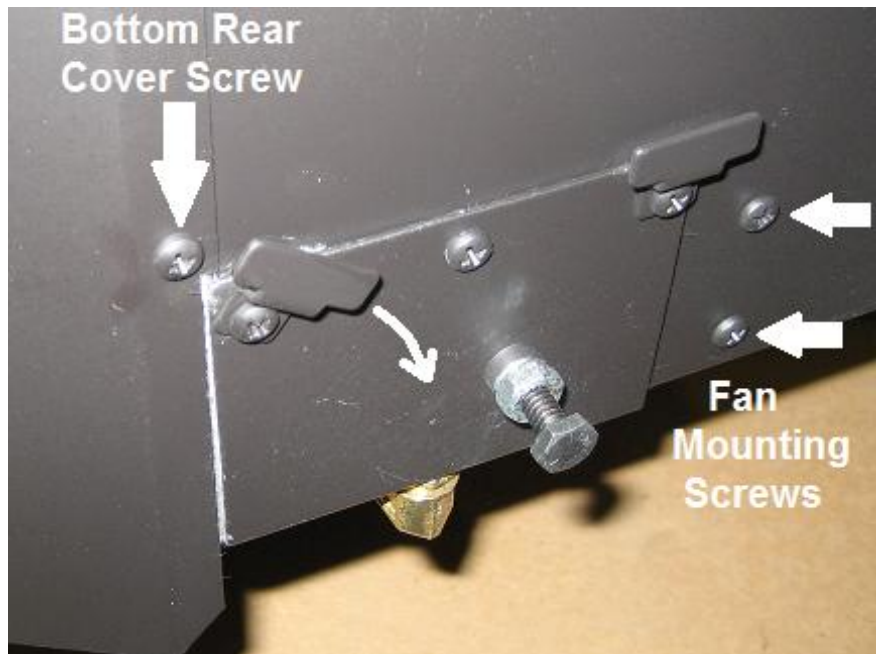


Photo #3 – Bottom Rear Cover and Fan Mounting Screws

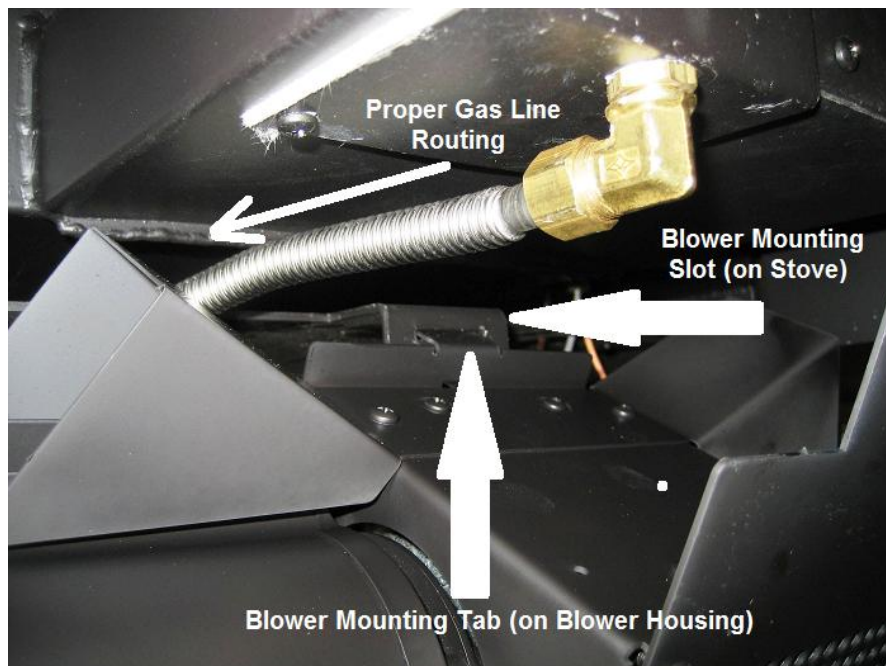


Photo #4 – Blower Tab Inserted in Mounting Slot

7. Raise rear of Blower housing until holes in mounting bracket align with screw holes from screws removed in Step 5 above. Hold Blower steady and re-install two screws. The Blower should now be firmly mounted to the stove body.
8. Connect the snap switch mounted on the stove to the blower snap switch connection (see Photo #5): Locate the snap switch that has been installed on the stove at the factory. Facing the rear of the Champlain, the switch is mounted at the bottom left of the stove back. **NOTE:** To gain access to the snap switch you must first remove the access panel as described in Steps 3 and 4 above. Attach the

two female spade connectors on the blower snap switch leads to the male spade connectors on the temperature sensing snap switch as shown in Photo #5. When properly installed, the connectors will slide together easily. Forcing them in an opposite direction will break the spade connectors. Loosen the two outer screws near the snap switch, place the protective shield (Photo #6) over the snap switch, rotate clockwise to slip under the mounting screws, and secure by tightening both screws.

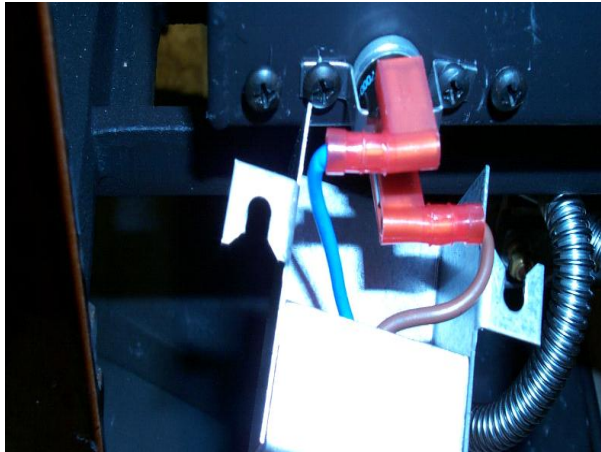


Photo #5 – Spade Terminal Connections



Photo #6 – Snap Switch Protective Cover Installation

9. From the front of the Stove: Remove valve access panel and set aside.
10. Reach under the stove and gently bring the Rheostat housing forward under the valve mount.
11. Place the Rheostat housing on the exposed tab projecting from the valve mount tray between the Receiver and Valve, then gently slide it backward (see Figure #2 and Photos #7 and 8).

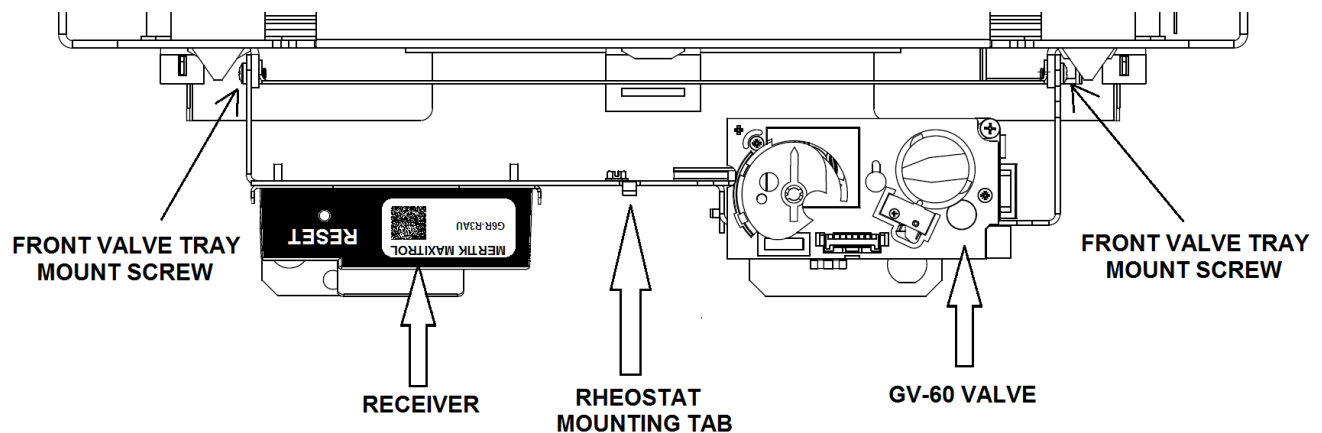


Figure #2 – Rheostat Mounting Tab



Photo #7 – Slide Rheostat Housing onto Tab

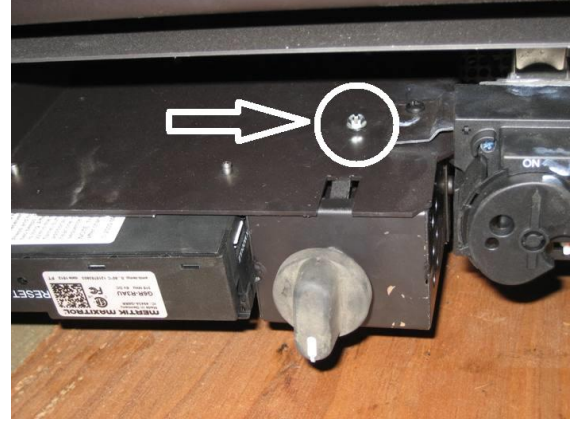


Photo #8– Tilt Valve Tray Down and Install Screw

12. Loosen two front mounting screws on valve tray and tilt front of tray down.
13. Position Rheostat housing on valve tray until securing screw hole lines up with hold in valve tray. Install supplied mounting screw and tighten (see Photo #8).
14. Swing valve tray back to original position and tighten front mounting screws.
15. Re-install rear cover mounting screws removed in Step 4 above.
- 16. If stove was removed from flue or gas supply, reinstall stove and reestablish gas/flue connection as per state or local code.**
17. Re-install top casting.
18. Turn appliance on via the operating instructions and turn the Blower Rheostat control knob clockwise just past the on 'click'.
19. After the stove chassis reaches a pre-set temperature the snap switch will turn the fan on.
20. Using the Rheostat dial, adjust fan speed to desired rate and re-install valve access panel. The blower will be on high when the knob is first turned on. To lower the blower speed, continue to turn the knob clockwise. Each time the stove turns off, the chassis will take time to cool down enough for the snap switch to cycle the Blower fan off. Conversely, each time the stove starts, a period of time will pass before the Blower fan starts as the chassis is coming up to required snap switch activation temperature.

If the Blower fan fails to start after at least 30 minutes of stove operation on the highest flame setting, turn off the appliance, unplug the Blower power cord from the 120V supply and follow this installation sheet step by step to identify a potential cause.