

# Technical Data Sheet

## Manchester Model 8360 Blower Assembly Install *Assembly 93-57600*

### **KIT CONTENTS:**

<b><u>Quantity</u></b>	<b><u>Part Name</u></b>	<b><u>Part Number</u></b>
1	Blower Assembly	(included in kit 93-57600)
1	Zip Bag:	
1	Control Knob	7200-602
2	10-24 x 1/2" Phillips pan head screws	4500-1876

### **TOOLS REQUIRED:**

3/8" Wrench  
Phillips Screw driver (#2)


### **BEFORE YOU BEGIN: *Install on a cool stove only!!***

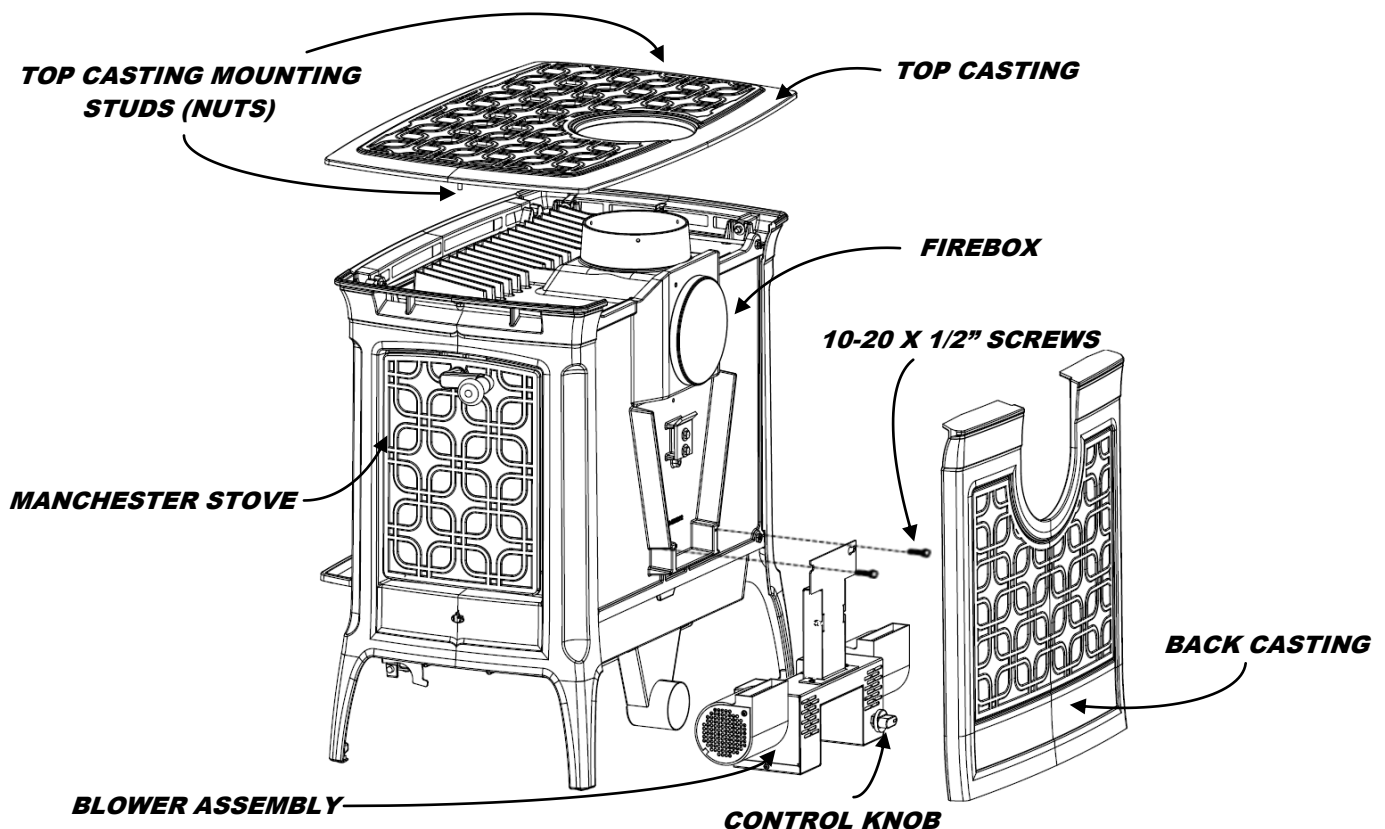
### **PROCEDURE:**

1. Remove the two 10-24 acorn nuts and washers from the top casting mounting studs holding the top casting to the body of the stove using a 3/8" wrench.
2. Remove the top casting by lifting it up and off the stove and carefully set aside. The top casting can also be lifted slightly and held aloft enough for step 2 below by placing 4 ea. 2x4 spacers diagonally at each corner between the top and body of the stove.
3. Lift the back casting upward approximately 2" until the mounting bracket is clear of the bracket on the rear of the firebox. Pull rear panel away from the unit and set aside. Be careful not to chip, if enameled.
4. Place the knob on the blower control.
5. Locate the two holes in the back outer wall of the firebox. Start the included 10-24 x 1/2" pan head Phillips screws in each of the holes. Leave the screw projecting from the hole at least half of its total length.
6. Position the blower so that the circular portion of the keyhole cut-out on right side of the mounting tab is directly over the right hand screw.
7. Making sure to align the "u" cut-out on the left hand side of the mounting tab with the left hand screw installed in step 4, push the blower housing flat up against the back of the firebox passing the right hand screw through the circular opening of the keyhole cut-out.
8. Making certain that the body of the blower housing remains fully against the firebox, gently slide the entire blower assembly to the right until both mounting screws are fully up against the right hand edge of their mounting holes.

9. Tighten the mounting screws fully. The blower housing may be moved slightly either direction to ensure proper alignment so long as the mounting screws can be tightened on the narrow portion of both blower mounting holes. It is important to assure that the blower housing fits tightly against the firebox so the temperature sensing snap switch installed in the blower enclosure will fit up against the underside of the step in the rear of the firebox. NOTE: Do not route the power cord past any sharp edges, or let it touch the body of the stove.
10. Carefully replace the back casting.
11. Carefully set the top casting back onto the top of the stove and reinstall the nuts on the mounting studs.

**Blower Operation:** the snap switch located on the top of the blower housing activates the blower. The snap switch must firmly touch the cast surface of the stove to work properly. It will take several minutes starting from a cold stove for the heat of a fire to activate the snap switch. The variable speed knob controls the blower fan speed. The control is located on the right side of the blower housing (if facing the stove from behind). Turn the control clockwise to the on "ON" position. Continue to turn the control clockwise to reduce the speed of the blower. To turn the blower "OFF", turn the control counter-clockwise until the blower motor clicks off.

 Note: Inspect and clean the screens on the blower as necessary to avoid blockage that will reduce efficiency.



## **MANCHESTER BLOWER INSTALLATION**

Figure 1