



# Technical Data Sheet

## Installation of the Heritage 8021/8022, Tribute 8040, and Castleton 8030 Accessory Blower *Kit 90-57210*

**Publish Date: 07/16/2014**

### **KIT CONTENTS:**

(1) Blower

### **Zip Bag Contents:**

#7200-602 Control Knob (1)

### **TOOLS REQUIRED:**

#2 Phillips Screwdriver (6 inch)  
Pair of Work Gloves

**IMPORTANT NOTE:** The blower for the *Heritage 8021, Tribute 8040, and Castleton 8330* must be used in conjunction with the accessory rear heat shield (Heritage 8021 - PN 90-68210) (Tribute 8040 - PN 90-68400) (Castleton 8030 – PN 90-68300). *Use this blower only with the products intended and which have markings to indicate such use.* The blower will force air up through the convection chamber that is formed between the back of the stove and the heat shield. The lip on the top of the heat shield will then direct the heated air out across the top of the stove.

**ELECTRICAL GROUNDING INSTRUCTIONS:** This blower is equipped with a three-pronged (grounding) plug for your protection against shock hazard and should only be plugged into a properly grounded three-prong receptacle. Do not cut or remove the grounding prong from the plug.

- **WARNING: DISCONNECT POWER FROM BLOWER BEFORE YOU BEGIN!**

### **Procedure:**

1. Install the rear heat shield brackets and the heat shield extension plate as described on the rear heat shield instructions **before** installing the rear heat shield. Attach the blower to the lower part of the rear heat shield bracket (see illustration below). Secure with a #2 Phillips screwdriver. If the rear shield is already installed, remove it before installing blower.
2. Loosen the screws that mount the heat shield extension (Figure 1).
3. With the perforated screen facing away from the stove back (as illustrated below), position the blower so that the screws securing the heat shield extension pass through the key holes in the back of the blower, then push down to catch the screws (Figure 2).

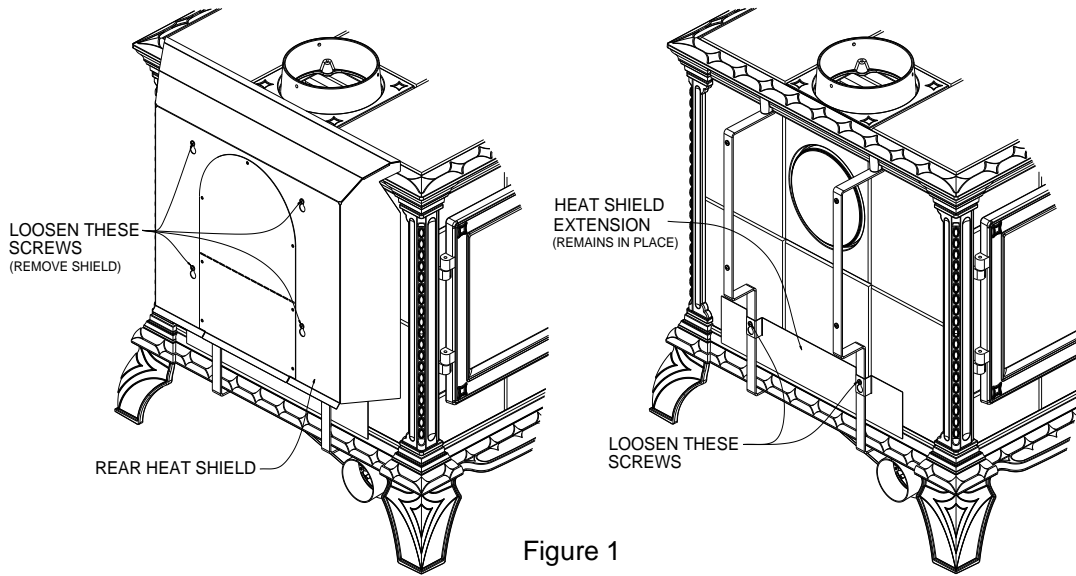


Figure 1

4. Tighten the screws. The snap switch should now touch the stove. If the snap switch does not touch, simply bend the blower bracket up until contact is made with the stove. If required, remove the blower and make the appropriate corrections.
5. Attach the heat shield.
6. Plug power cord into a grounded, 110 v, 60-cycle 3-prong receptacle. Route the cord away from hot surfaces. Ensure the cord is not pinched in any way.

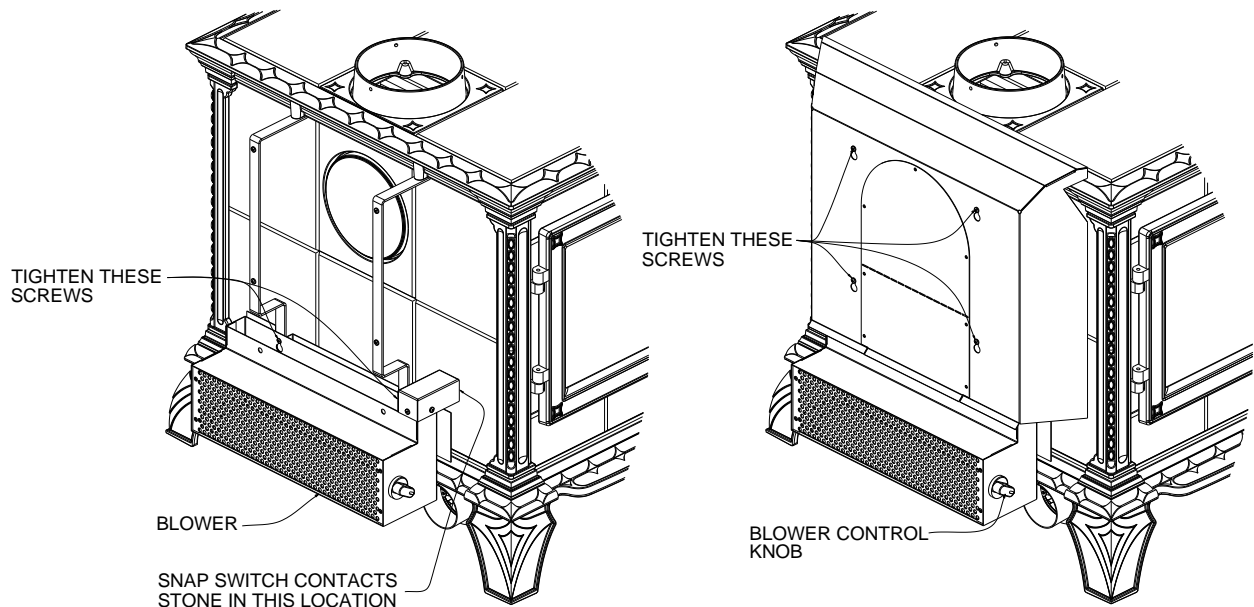


Figure 2

## **BLOWER OPERATION:**

The snap switch located on the top of the blower housing activates the blower. It will take several minutes for the heat of the stove to activate the snap switch (about 120 degrees F). A rheostat controls the blower fan speed. The rheostat knob is located on the right hand side of the blower housing. Turn the knob clockwise to the on position. The fan is on the highest setting when first turned on. Continue to turn the knob clockwise to reduce the fan speed until it reaches its lowest setting. If the fan does not operate at the lowest setting, the rheostat requires adjustment. Contact your dealer for rheostat adjustment. To turn the blower off, turn the knob fully counterclockwise until it clicks into the off setting.