

INSTALLATION INSTRUCTIONS

Fireplaceblowersonline.com
1509 Rapids Drive • Racine, WI 53404
262-989-4882 • 262-989-4883 • 262-633-2344 (fax)

Model FK24 Variable Speed Fan Kit

**This is a contractor replacement kit. The blowers are aftermarket models, not original equipment with LIMITED INSTRUCTIONS!
Intended to be installed by a qualified technician.**

The optional F24 fan kit is designed to be installed in gas fireplaces. For additional information, please refer to the installation instructions provided with your fireplace.

NOTE: Make sure all power to the electrical supply has been turned off prior to beginning the installation.

1. Hold the fan assembly so that the mounting bracket faces downward and the fan motor is furthest away from the fireplace. Slide the assembly through the access door on the left side of the valve control compartment. Turn the assembly ninety degrees around the valve so that it is parallel to the back. Next, rotate the assembly so that the mounting bracket is turned up facing the back of the fireplace. Line up the bracket mounting holes with the screw studs on the back of the fireplace and fasten with #10-24 hex nuts.
2. Position the thermodisc so that it touches the underside of the firebox floor.
3. Place electronic fan speed control box on bottom of fireplace base, lining up mounting holes with screw studs. Fasten fan speed control box with #10-24 hex nuts.
4. Plug in power cord to the electrical box (EB1-see EB1 instructions for installation).

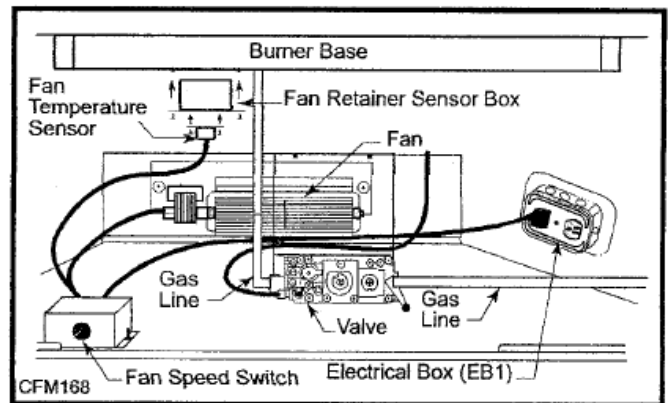


Fig. 1 FK24 installation.

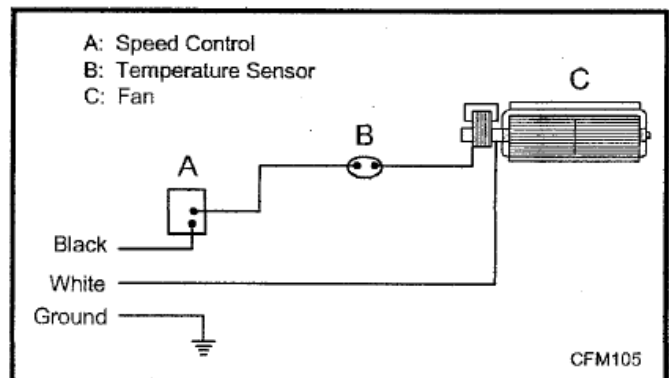


Fig. 2 FK24 wiring diagram.

NOTE: The FK24 comes with the electrical cord attached. This fan does not need regular maintenance; however, periodic cleaning is required. Check the area under the control door and in front of the fan, and wipe or vacuum at least once a month during the operating season.

ATTENTION!



Before installation, please refer to your owners manual. The thermodisc is set to turn on at approximately 120° F and will shut off at approximately 90° F.

NOTE: Blower will not start until thermodisc is heated to approximately 120° F.
The thermodisc has been factory tested.

FIREPLACEBLOWERSONLINE.COM