

INSTALLATION INSTRUCTIONS

Fireplaceblowersonline.com
1509 Rapids Drive • Racine, WI 53404
262-989-4882 • 262-989-4883 • 262-633-2344 (fax)

Model FK12 Fan Kit

**This is a contractor replacement kit. The blowers are aftermarket models, not original equipment with LIMITED INSTRUCTIONS!
Intended to be installed by a qualified technician.**

CIRCULATING FAN KIT

Compare contents of carton in Figure 1 with actual parts received. If any parts are missing or damaged, contact your dealer before starting installation.

Tools required for assembly:

- Large straight blade
- Screwdriver to assist in removing hearth brick

Installation Precautions

The FK 12 Fan Kit is tested and safe when installed in accordance with this installation manual. It is your responsibility to read all instructions before starting installation and to follow these instructions carefully during installation to assure maximum benefit from and safe operation of the fans.

If you modify the fan or any of its components, you may possibly create a fire hazard and will void the WARRANTY. In addition, such action may void the coverage provided by the owner's house insurance.

The fan kit must be installed within the fireplace opening as detailed in this manual.

NOTE: EB1 junction box must have been installed onto the fireplace prior to installing the fan kit.

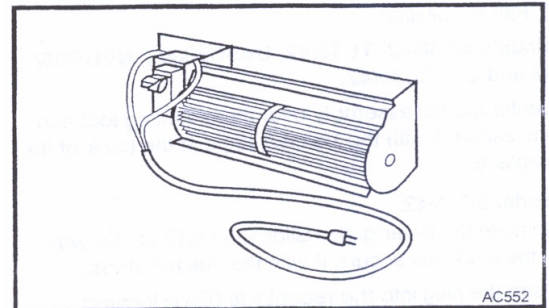


Fig. 1 Carton contents.

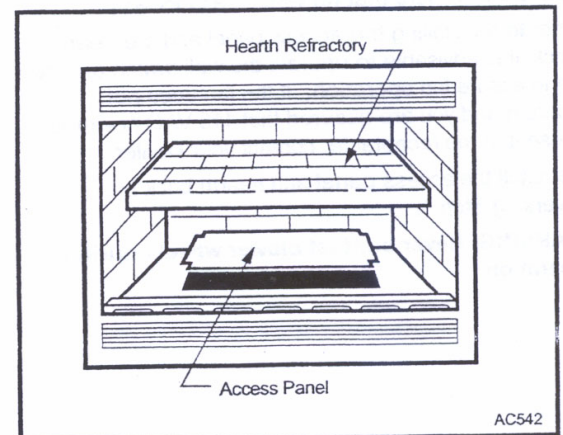


Fig. 2 Hearth brick removal.

To Install FK12 Circulating Fan Kit

- 1. Hearth Brick and Access Panel Removal:**
If your fireplace has glass doors, it is highly recommended that doors and the lower track be completely removed for easier access.
- 2. Models BC36/42, TL36/42, UVBC36/42, VL33:**
Remove the hearth brick by carefully lifting it out of the fireplace. Next, remove the access panel by carefully pulling up and out from the back middle edge of the panel until the tabs at each side are free. Use caution – the panel edges may be sharp (see Figure 2).
- 3. Models NVBC36/42 and UVSRC36/42:**
Remove the two (2) ceramic fiber refractory panels by carefully lifting them out of the fireplace.

Next, remove the access panel by pulling it up and out from the side edge of the panel. Use caution – the panel edges may be sharp (see Figure 2).

4. **Models SC36/42:**

Fan access and installation is through the front lower grille. There is no access to fan through the hearth.

Fan Installation

1. **Models BC36/42, TL36/42, UVBC36/42, NVBC36/42 and UVSRC36/42:**

Center the fan assembly over the mounting location and secure it with the pre-attached magnets at the back of the fireplace.

2. **Model SC36/42:**

Remove the lower grille. Slide the FK12 all the way to the back and secure it with the pre-attached magnets. Insert the plug into the receptacle (EB1) located against the lower right sidewall of the fireplace.



CAUTION: Be sure that no wires are pinched

Prior to reinstalling the access panel and the hearth brick, it is advisable to operate the wall switch on and off to assure fan operation. If the fan does not operate and you are assured that 115 VAC power is present at the receptacle, contact your dealer.

Reinstall the access panel and hearth brick by reversing Step 1.



WARNING: Never contact blower wheels during operation.

Recommended Operating Procedures

Light your fireplace with the fan off. After the fire has been burning for about 30 minutes, turn the fan on. Heated air should be delivered at the outlet grille.

Maintenance

Periodically check the fan assembly and remove any dust, dirt or obstructions. Replacement parts and service may be obtained through your distributor or dealer. If additional information or an instruction manual is needed, contact us at 414-989-4882 or 414-989-4883.

ATTENTION!



The thermodisc is set to turn on at approximately 120° F and will shut off at approximately 90° F.

NOTE: Blower **will not start** until thermodisc is heated to approximately 120° F. The thermodisc has been factory tested.

FIREPLACEBLOWERSONLINE.COM