

FBB9-1 BLOWER KIT INSTALLATION INSTRUCTIONS

INSTRUCTIONS MUST BE LEFT WITH THE OWNER FOR FUTURE REFERENCE AFTER INSTALLATION.

ATTENTION: Install blower assembly before connecting gas inlet supply line

NOTE: Junction box on right side of fireplace must be pre-wired at time of fireplace installation for use with blower assembly. It is recommended that an ON/OFF wall switch be installed by a qualified electrician that will activate the power supply to the fireplace.

WIRING

The appliance, when installed, must be electrically grounded in accordance with local codes or, in the absence of local codes, with the *National Electrical Code, ANSI/NFPA 70*, if an external electrical source is utilized. **This appliance is equipped with a three-prong [grounding] plug for your protection against shock hazard and should be plugged directly into a properly grounded three-prong receptacle. Do not cut or remove the grounding prong from this plug.** For an ungrounded receptacle, an adapter, which has two prongs and a wire for grounding, can be purchased, plugged into the ungrounded receptacle and its wire connected to the receptacle mounting screw. With this wire completing the ground, the appliance cord plug can be plugged into the adapter and be electrically grounded.

⚠ CAUTION

Label all wires prior to disconnection when servicing controls. Wiring errors can cause improper and dangerous operation. Verify proper operation after servicing.

BLOWER MOTOR

The blower motor does not have oiling holes. Do not attempt to oil the blower motor.

BLOWER WHEELS

The blower wheels will collect lint and could require periodic cleaning. If the air output decreases or the noise level increases, it indicates a dirty blower wheel. Remove blower and clean blower wheels.

⚠ WARNING

Unplugging of blower accessory will not stop the heater from cycling. To turn off gas to the heater (millivolt model): push in gas control knob slightly and turn clockwise to "OFF." Do not force. To turn off gas on direct ignition model, turn gas line valve to "OFF."

BLOWER INSTALLATION

⚠ WARNING

If previously installed, do not damage gas inlet supply line when blower assembly is inserted into fireplace. If necessary, removal of the gas inlet supply line may be necessary.

1. Remove decorative front, valve cover (three screws), and glass door assembly.
2. Reposition the extension module mount plate, module, and extension module by placing them in front of the valve.
3. Insert the blower assembly past the firebox support leg with the motor portion angled to the front of the fireplace. **See Figure 1.** Slide the blower past the supply tubing to position the blower along the back wall of the fireplace back in the open space along the left side of the fireplace. **See Figure 2.**

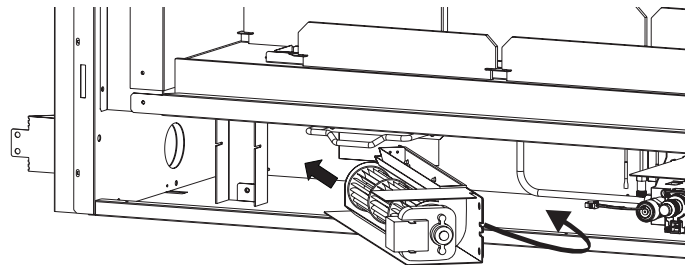


Figure 1

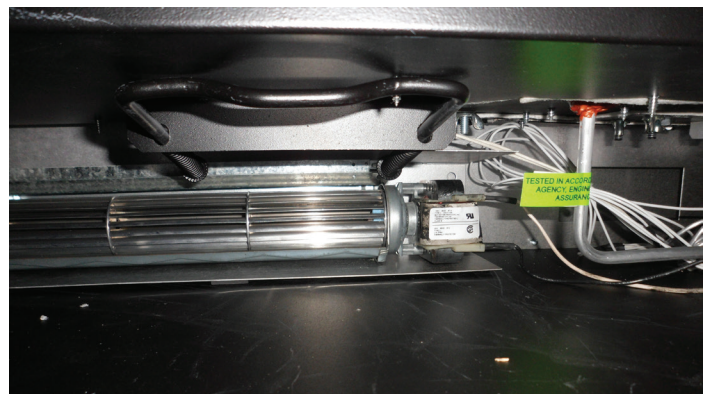


Figure 2

- Replace the extension module mount plate, module and extension module.
- Plug the blower into the 3-prong receptacle on the extension module labeled "fan". See Figure 3.

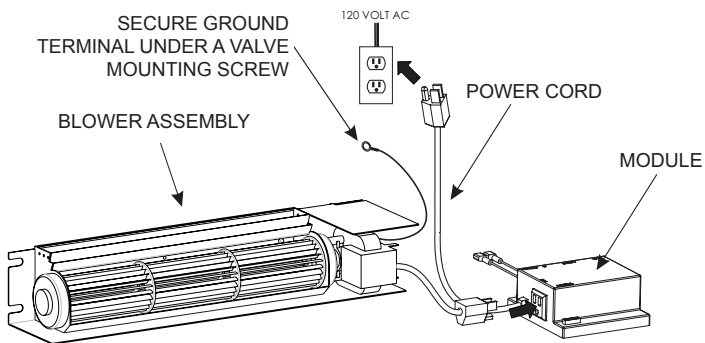
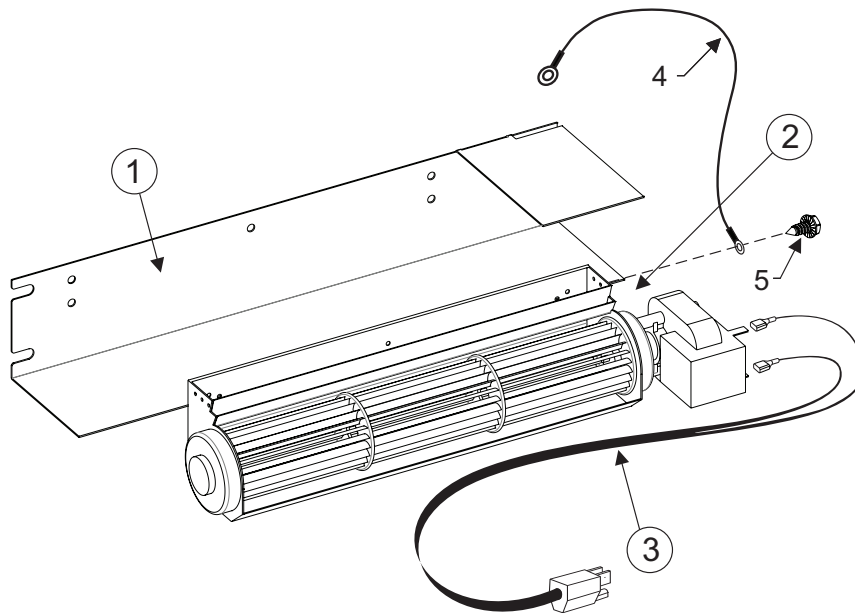


Figure 3

- Remove one of the valve mounting screws. Locate the ground wire ring tongue terminal and secure the ground to the valve by re-installing the valve mount screw. See Figure 3.
- Insert the power cord plug from the extension module into the junction box at the right side of the fireplace.
- Verify wiring connections did not get loose or disconnected during blower installation.
- Replace glass door assembly, valve cover, and decorative front.

EXPLODED VIEW AND PARTS LIST



ITEM NO.	PART NO.	DESCRIPTION
1	30605	Bracket, Blower
2	R12447	Blower Assembly
3	R7615	Cord Set
4	R7891	Ground Wire
5	R2142	#10 Screw



SINCE 1932

www.empirecomfort.com

Empire Comfort Systems Inc.
Belleville, IL

If you have a general question about our products, please e-mail us at info@empirecomfort.com.

If you have a service or repair question, please contact your dealer.