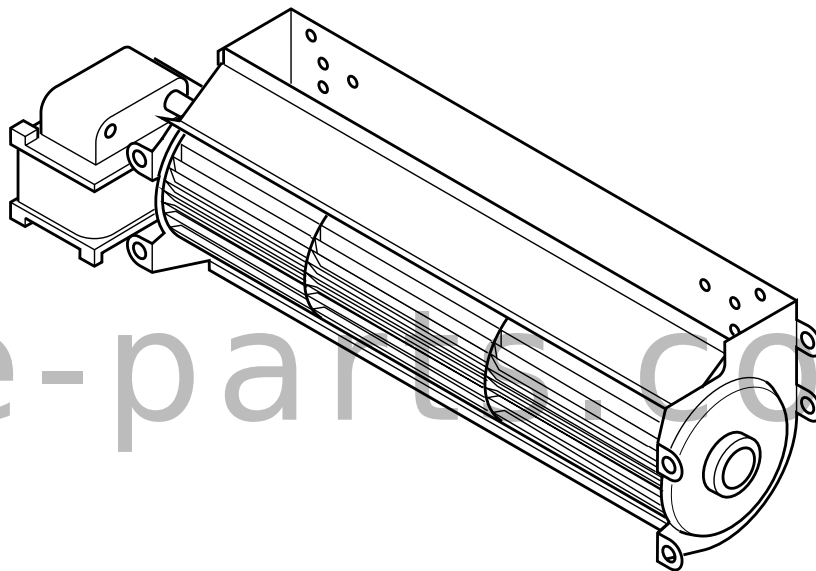


VANGUARD®

INSTALLATION INSTRUCTIONS FOR GA3700T BLOWER ACCESSORY



Note: This blower kit should only be used with Vanguard models VYGF33NR, VYGF33PR, VCGF30NR, VCGF30PR, VSGF28NV, or VSGF28PV Series fireplaces.

Parts included with this kit:

Part No.	Description	Quantity
	Instruction Sheet	1
103581-01	Blower	1
101614-02	Switch and Cover Assembly	1
101398-02	Wire Harness	1
104036-01	Power Cord and Plate Assembly	1
104038-01	Mounting Hardware Kit (includes all parts below)	1
M11084-26	#10 x 3/8" sheet metal screws	1
M11084-38	#8 x 3/8" sheet metal screws	2
103708-01	#6 x 1/4" sheet metal screws	2
099123-01	Wire Clips	3
099998-01	Fan Switch	1
101584-04	Wiring Diagram Decal	1
101629-01	Plastic Hole Bushing	1

Tools Required

- Flat Blade Screwdriver
- Phillips Screwdriver

If any of these pieces are missing or damaged, contact the dealer where you purchased this kit or DESA International at 1-800-972-7879 for referral information.

Installing GA3700T Blower Accessory in Fireplace Models VYGF33NR, VYGF33PR, VCGF30NR, VCGF30PR, VSGF28NV, or VSGF28PV Series

NOTICE: Shut-off gas supply and disconnect heater from gas supply. Contact a qualified service person to do this.

1. Remove fireplace screen or front glass per the instructions in operation manual supplied with fireplace.
2. If logs are installed, carefully remove the logs and set aside, noting the properly mounted location of each.
3. Remove screws that attach log base assembly to fireplace (do not discard). Carefully lift up log base assembly and remove from fireplace, taking care to pull flexible gas line through the access holes (see Figure 1).

CAUTION: Do not pick up log base assembly by burners. This could damage burners. Only handle base by grates.

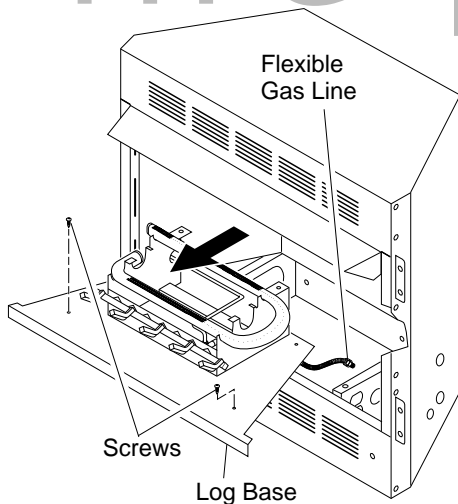


Figure 1 - Removing Log Base from Fireplace

4. Place the blower against lower rear wall of firebox outer wrapper with the exhaust port directed upward. Align the holes in top mounting tabs of blower with holes in wall of wrapper (see Figure 2). Using two #8 screws provided, mount blower and tighten screws firmly.
5. Route terminal end of power cord through large hole near top of left floor support bracket. Make sure to pass the cord from the outside (left side) towards the center of firebox (see Figure 3).
6. Using two #6 screws provided attach power cord mounting plate to the outside face of left floor support bracket. Drive screws from inside (right side) of floor support bracket. Attach the plate so that the power cord is directed towards rear of firebox (see Figure 3). Tighten screws firmly.

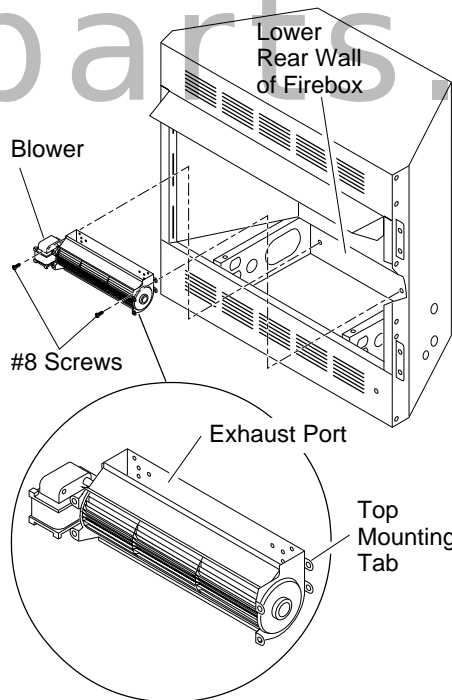


Figure 2 - Mounting Blower to Firebox

7. Remove the three screws (do not discard) and cover plate from center of firebox wrapper rear wall (see Figure 4). Discard this cover plate.
8. Mount the supplied thermostatic switch and cover assembly into firebox wrapper rear wall. Do this by feeding terminal ends of wire harness into the hole. Allow wires to fall to bottom of firebox cavity (see Figure 5, page 3).
9. Using three screws from step 7, attach switch and cover assembly to firebox wrapper rear wall. Tighten screws firmly (see Figure 5, page 3).
10. Mount selector switch to front flange of left floor support bracket. Align graphics on switch upright and push firmly to snap switch into rectangular hole. Push the selector switch to the off (middle) position (see Figure 3).
11. Install three plastic wire clips provided into floor support bracket (see Figure 3). Secure by pushing clips firmly into holes.

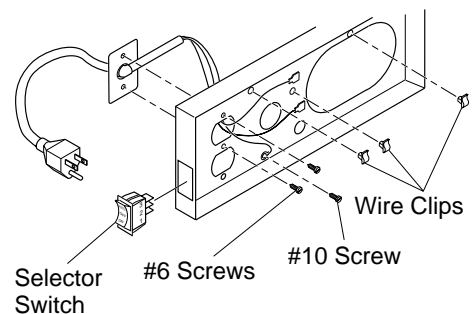


Figure 3 - Installing Power Cord, Mounting Plate, and Selector Switch

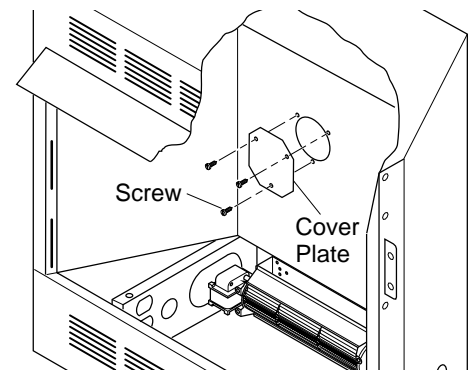


Figure 4 - Removing Cover Plate

INSTALLATION INSTRUCTIONS

⚠ WARNING: Failure to connect all wires properly as indicated may cause electrical short circuit or personal injury. A qualified electrician should check that all connections are made properly.

12. Attach green ground wire ring terminal to floor support bracket using #10 sheet metal grounding screw provided (see Figure 3, page 2). Tighten screw firmly.
13. Attach all five remaining wiring terminals to the appropriate switch or motor terminal. Carefully note the correct color coding (see Figures 6 and 8). Push female wire terminals fully onto male terminal.

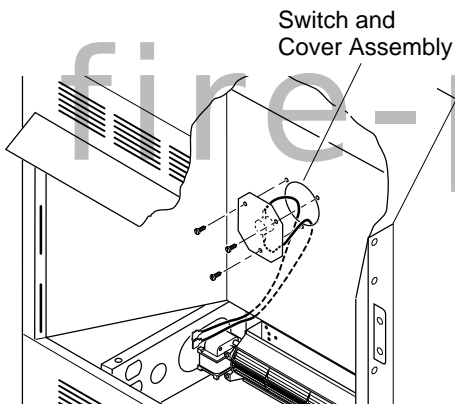
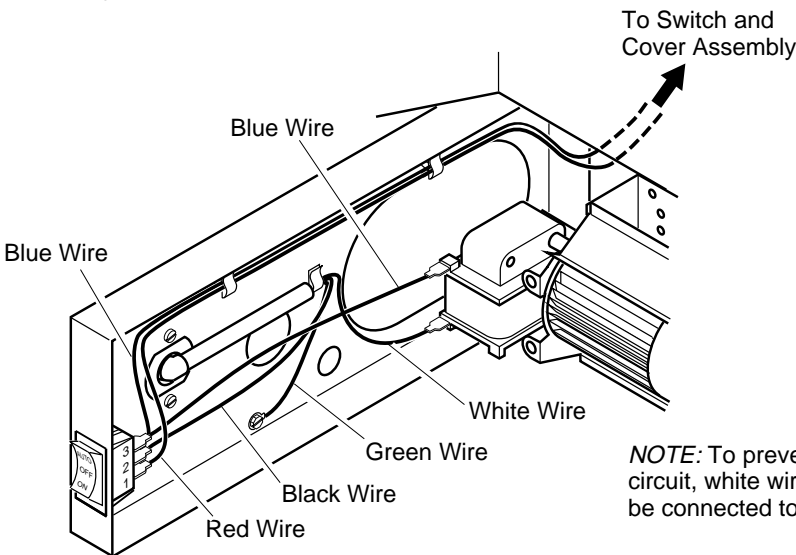


Figure 5 - Installing Switch and Cover Assembly



NOTE: To prevent short circuit, white wire **MUST** be connected to motor.

Figure 6 - Wire Attachment

14. Secure wires into the appropriate plastic wire clips (see Figure 6).
15. Plug in blower power cord.
 - a. **If your fireplace system is installed as a freestanding unit with an accessory mantel**, install one plastic bushing (provided) into the 1.5" hole in the lower left side of the outer casing (see Figure 7). Route power cord through plastic bushing. Plug the power cord into a properly grounded three-prong wall receptacle near the firebox.
 - b. **If your fireplace system installation is recessed**, you must install the GA3555 Outlet kit with cover in your fireplace which will supply a convenient 3-prong grounded electrical outlet for your blower. Refer to the installation manual provided with the model GA3555 accessory for instructions on wiring the duplex outlet.

Note: A qualified installer must make all electrical connections.

16. Check to make sure that the power cord and wires are completely clear of the blower wheel and that there are no other foreign objects in blower wheel. Turn blower on by pushing the selector switch to the on position and check for operation. Turn blower off before continuing.

⚠ WARNING: Never touch the blower wheel while in operation.

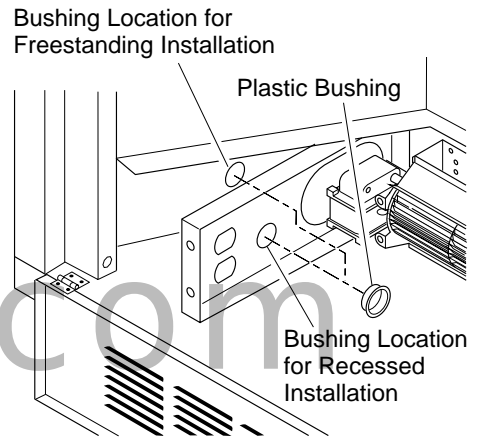


Figure 7 - Installing Bushings

Installing GA3700T Blower Accessory in Fireplace Models VYGF33NR, VYGF33PR, VCGF30NR, VCGF30PR, VSGF28NV, or VSGF28PV Series

17. Peel off the backing paper and stick the supplied wiring diagram decal on the firebox bottom approximately 12" in front of blower.

18. Replace log base assembly in fireplace. Feed flexible gas supply line into fireplace base area while replacing log base assembly. Make sure the entire flexible gas line is in fireplace base area.

Note: If firebrick is installed, make sure the back of the firebox bottom slides under the rear panel of the firebrick (lift the firebrick up if necessary). Also make sure the hole in the rear firebrick panel is over the switch and cover assembly. This will allow the blower to operate properly. The switch and cover assembly is located at the center of firebox wrapper rear wall (see Figure 5, page 3).

IMPORTANT: Do not pick up log base assembly by burners. This could damage burners. Only handle base by grates.

19. Reattach log base assembly to fireplace with screws removed in step 3.

20. Install logs and fireplace screen per instructions in operating manual provided with fireplace.

WARNING: Failure to position the parts in accordance with supplied diagrams or failure to use only parts specifically approved with this heater may result in damage or personal injury.

21. Connect gas supply to fireplace per instructions in operating manual provided with fireplace.

NOTICE: A qualified service person must connect fireplace to gas supply. Follow all local codes.

If any of the original wire as supplied with the appliance must be replaced, it must be replaced with 105°C wire or it's equivalent.

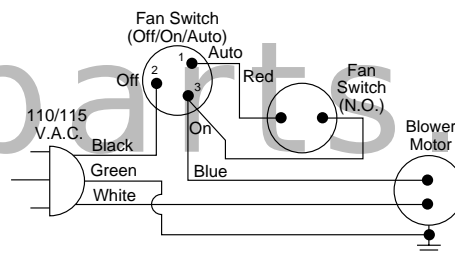


Figure 8 - Wiring Diagram

Operating the Blower

Light your gas appliance with the blower off. After about 5 minutes, turn the blower on to deliver heated air at the top louvers. The thermostatic ally-controlled blower features a three position switch. The three settings are: ON, OFF, and AUTO. In the ON position, the blower will operate constantly. In the OFF position, the blower will not operate. In the AUTO position, the blower will start when the thermostat senses a sufficient increase in firebox temperature.

Note: Your gas logs and thermostat blower will not turn on and off at the same time. The fireplace may run for several minutes before the blower turns on. After the heater returns to the pilot position, the blower will continue to run. The blower will shut off after the firebox temperature decreases.

Note: It is safe to operate fireplace with blower turned off. However, the blower helps distribute heated air from the fireplace.

Note: Periodically check the louvers of the firebox and remove any dust, dirt, or other obstructions.

LIMITED WARRANTY

DESA International warrants this product to be free from defects in materials and workmanship for one (1) year from the date of first purchase, provided that the product has been properly operated.

This warranty is extended only to the original purchaser. DESA shall either replace the product or refund the full purchase price. Warranty service is available only through authorized dealers.

This warranty does not apply to the failure of any part resulting from accident or misuse by the owner, nor does it apply to use in commercial applications.

To the full extent allowed by the law of the jurisdiction that governs the sale of the product: this express warranty excludes any and all other expressed warranties. The above expressed warranty is in lieu of all other warranties either expressed or implied including but not limited to the implied warranties of merchantability and fitness for a particular purpose. DESA's liability is hereby limited to the purchase price of the product, and DESA shall not be liable for any other damages whatsoever including indirect, incidental, or consequential damages.

Some states do not allow a limitation on how long an implied warranty lasts, or an exclusion or limitation of incidental or consequential damages, so the above limitation or implied warranties, or exclusion or limitation on damages may not apply to you.

This warranty gives you specific legal rights, and you may also have other rights which vary from state to state.

For information about this warranty write:



105382 01
NOT A UPC

DESA
INTERNATIONAL

2701 Industrial Drive
P.O. Box 90004
Bowling Green, KY 42102-9004

105382-01
REV. A
11/98