

BLOTCS Blower Kit

THERMOSTATIC BLOWER INSTALLATION INSTRUCTIONS

NOTE: This instruction sheet is **ONLY** for models listed below. Carefully inspect the contents for shipping damage. If any parts are missing or damaged, immediately inform the dealer from whom you purchased the part.

Direct-Vent Cast Stoves:

CSDV30 Series, DVCS30 Series, CSDV40 Series & DVCS40 Series

Contents of Kit:

Description	Qty
Blower Assembly	1
Thermostatic Sensor	1
High Temperature Wire	2
Speed Control	1
Machine screw 1/4"-20x1/2"	2

TOOLS NEEDED FOR INSTALLATION:

Short Handle Phillips Screwdriver, Small Jeweler's Style Screwdriver

WARNING

Before installing the blower, turn off the fireplace, close the gas supply and allow to cool. Only a qualified service person should service and repair the fireplace. A qualified service person should connect and disconnect the fireplace to gas supply. Follow all local codes.

CAUTION

Electrical connections should only be performed by a qualified, licensed electrician. Main power supply must be turned off before connecting fans to the main electrical power supply or performing service.

WARNING

Electrical Grounding Instructions:
This appliance is equipped with a three-prong (grounding) plug for your protection against shock hazard and should be plugged directly into a properly grounded three prong receptacle.

WARNING

Improper installation, adjustment ,alteration service or maintenance can cause injury or property damage. For proper installation refer to these instructions. For assistance or additional information. Consult a qualified installer.

IMPORTANT

Always check local building codes. This installation must comply with local regulations as well as the National Electric Code. Refer to the Homeowners Manual for further instructions.

WIRING TO JUNCTION BOX

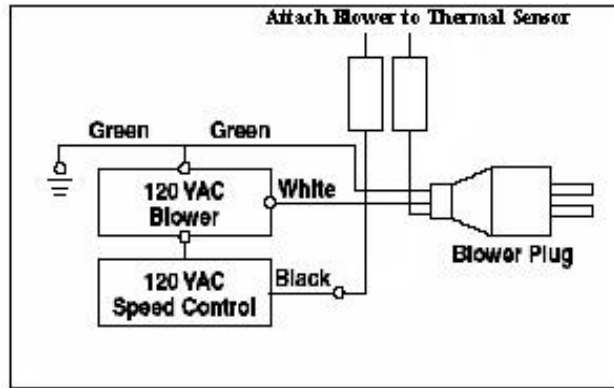


Figure 1: Wiring Diagram

INSTALLING THE BLOWER

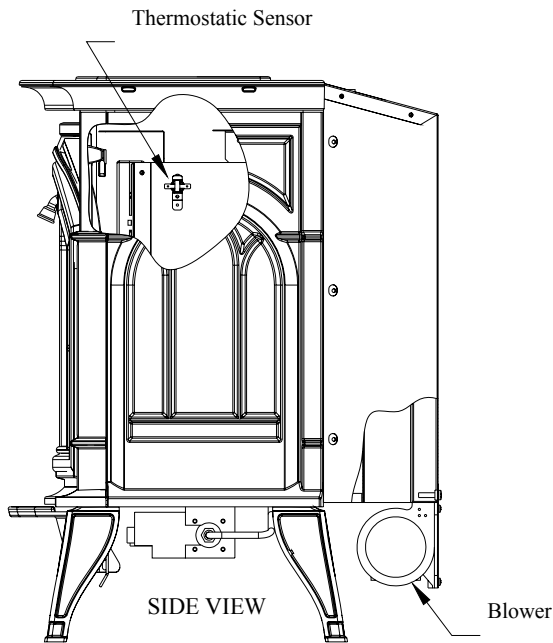


Figure 2: Blower Location

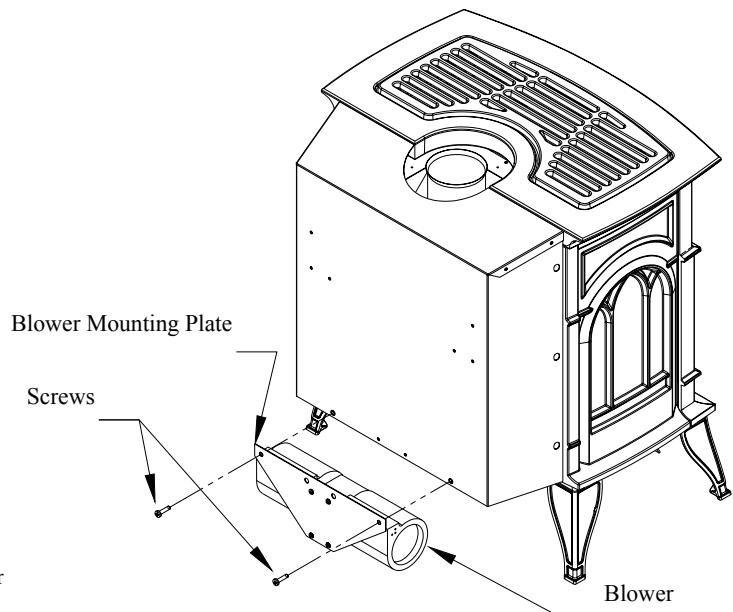


Figure 3: Blower Installation

1. Open the blower kit box and check parts to part list.
2. Using two (2) $\frac{1}{4}$ -20 machine bolts provided, attach blower mounting plate to the unit as shown in Figure 3. The blower is factory assembled with the mounting plate.

INSTALLING THE VARIABLE SPEED CONTROL

1. Open the ashlip door in order to have access to the control panel. See figure 4 for speed control location.
2. By pulling apart, remove the knob and lock nut from the speed control.
3. Place the speed control behind the control panel push white stem through hole. **Ensure the wiring is still intact.**
4. Tighten lock nut back on stem and reinstall knob. See Figure 4.

INSTALLING THE THERMAL SENSOR

1. See figure 2 and 5 for thermal sensor location.
2. Remove the front of the unit (See Owner's Manual for further explanation). Note clip on the left upper side of the outer wrapper.
3. Place magnetic sensor next to the clip. It will stick to the metal. Make sure the HI-Temp wire are channeled down to re-unite with power cord harness. See Figure 5.

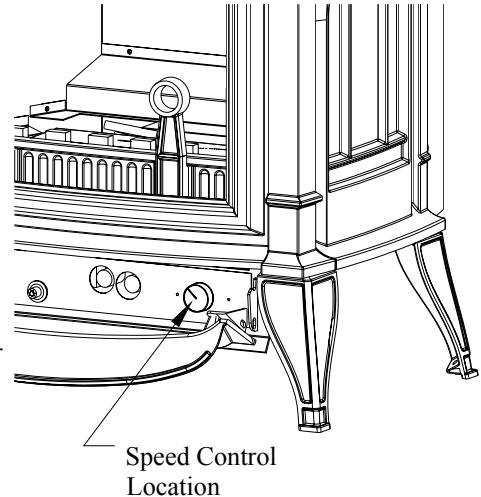


Figure 4: Speed Control Location

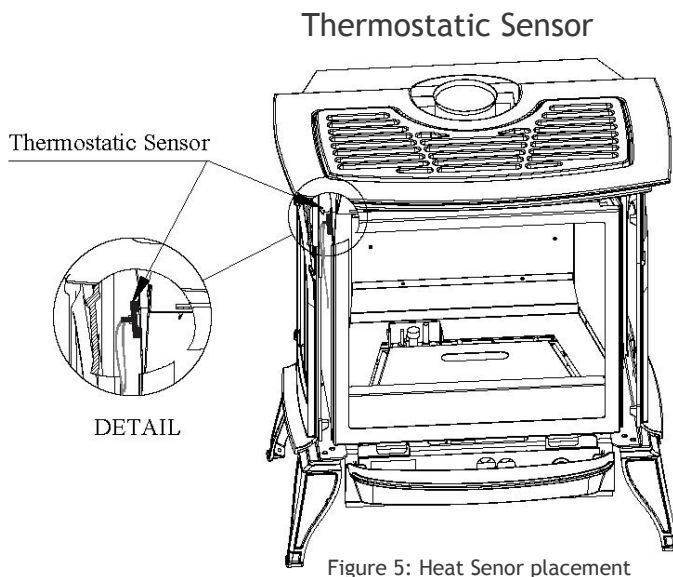
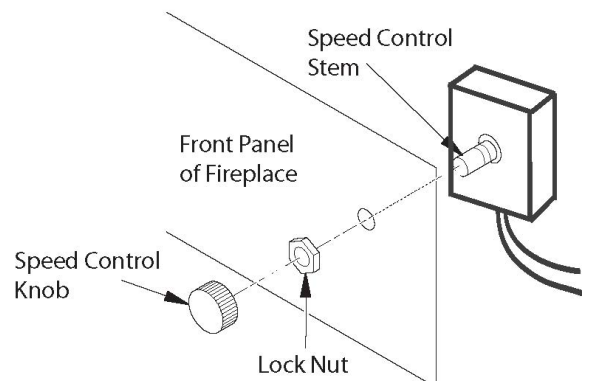


Figure 5: Heat Sensor placement



WARNING

It is important to keep wires away from combustion chamber.

4. Drop the two electrical wires from the thermal sensor switch down the left hand side of the firebox between the outer wrapper and the cast wall. See Figures 5.
5. Plug one wire from Heat sensor onto a spade terminal of blower. Plug the other Heat Sensor