

The Boxer **Fan Kit (Z2144)** consists of 2 traverse blowers attached to a single mounting plate. If possible, it is most convenient to install the fan kit before the stove is in place as access to the rear of the unit is required for fastening purposes.



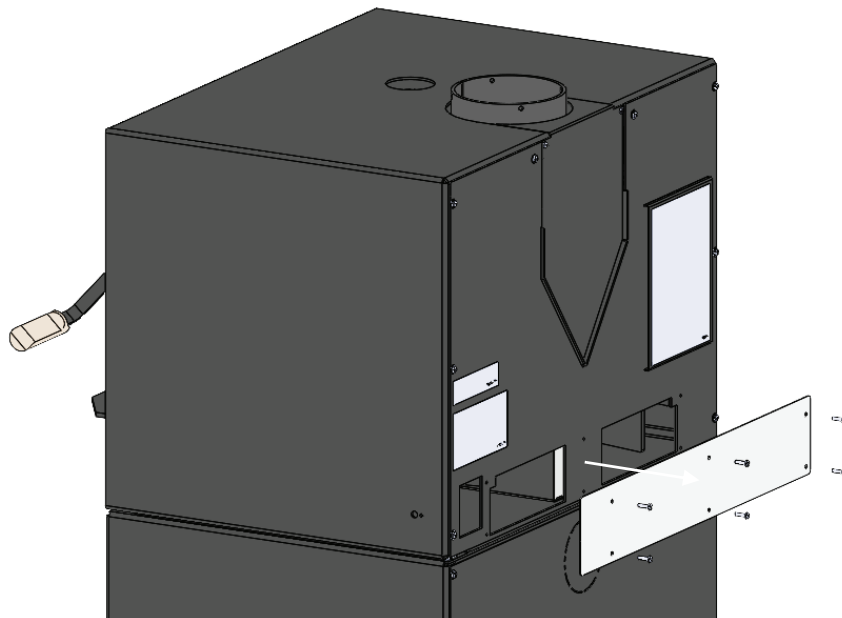
CALIFORNIA PROPOSITION 65

WARNING: This product can expose you to chemicals including benzene, which is known to the State of California to cause cancer and birth defects or other reproductive harm. For more information:

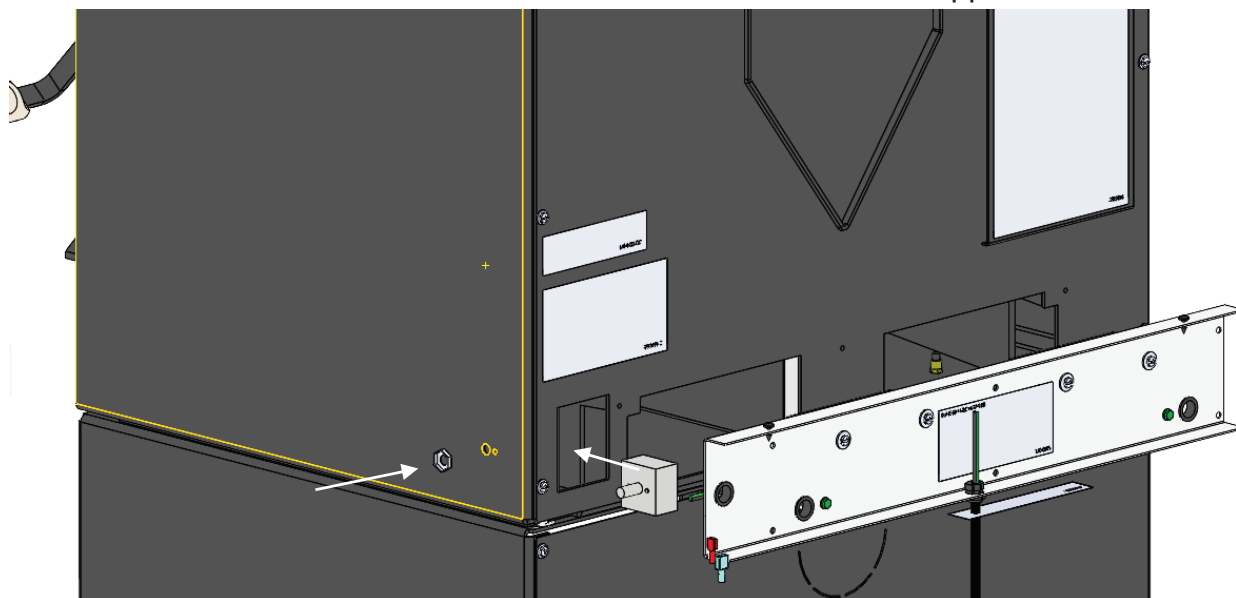
www.P65Warnings.ca.gov

INSTALLATION

1. On the rear of the stove, unfasten x6 sheet metal screws and then remove the fan cover plate.

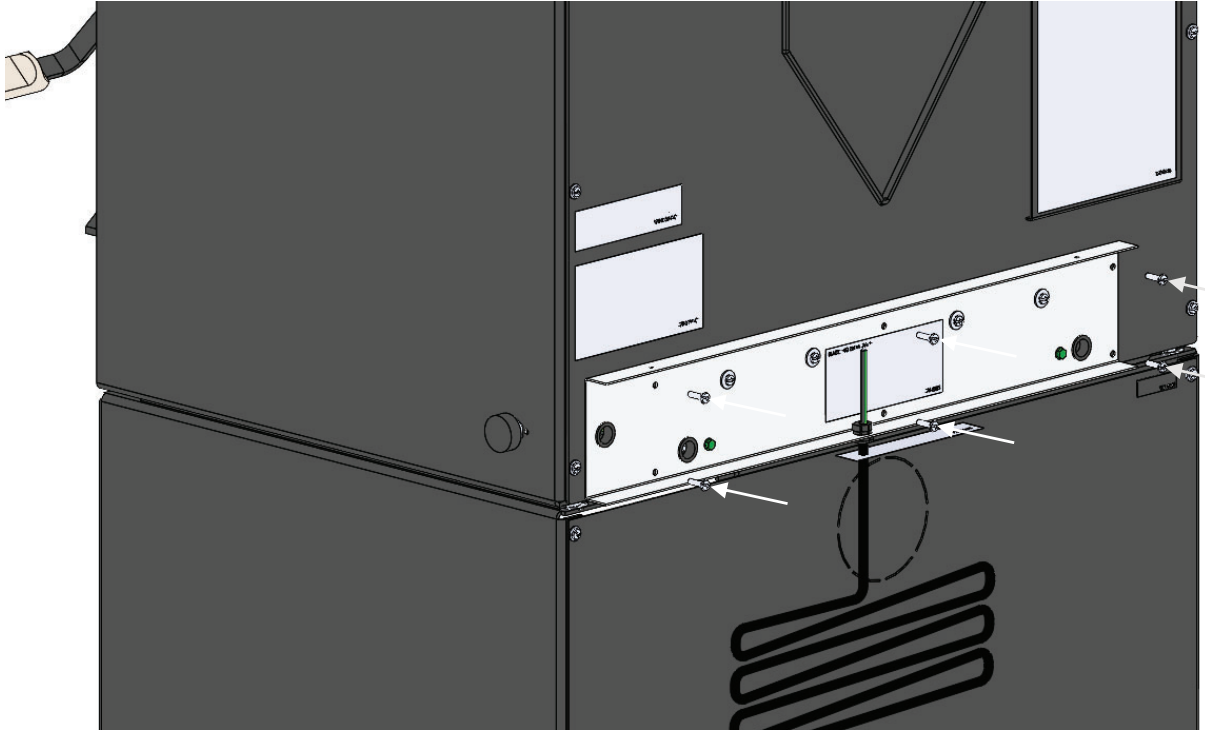


2. With outer fan cage uninstalled and fan kit aligned with slots in rear of unit, position rheostat into outer left slot and install into hole on left side of firebox can with supplied rheostat nut.



Z2144 FAN KIT

3. With rheostat installed, fasten x6 sheet metal screws into the previously threaded holes to affix the fan kit to the rear of the unit.



4. With the fan kit body in place, install the outer cage by fastening x2 sheet metal screws from the top side. Finish off the install by press fitting the rheostat knob onto the protruding arm.

