

BLAZE KING WOOD STOVES

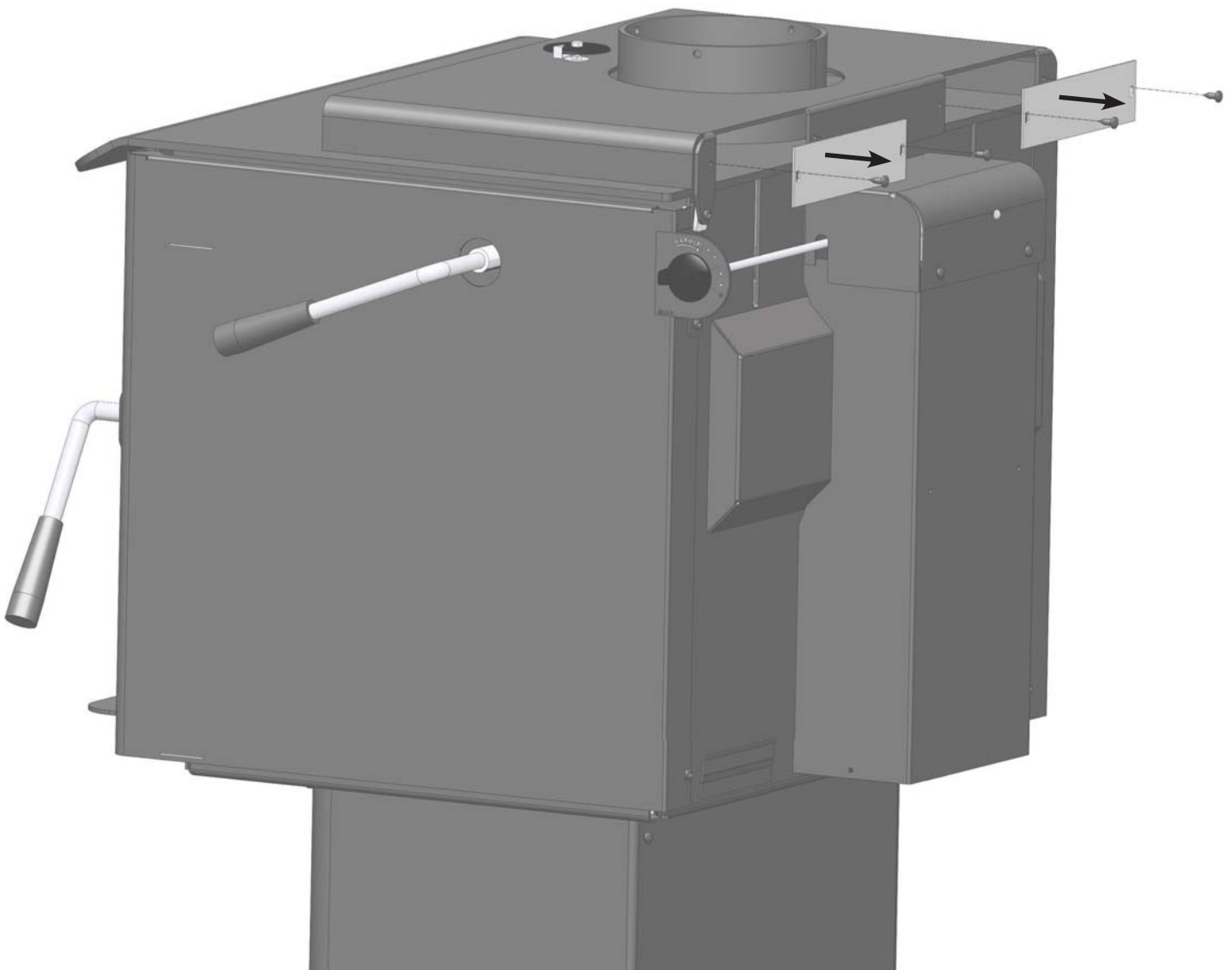
The BLAZE KING **Classic Fan Kit (Z1714)** consists of 2 axial fans located in separate housings that are mounted on the rear of the **King (KE1107)**, **Princess (PE1006)**, **Chinook 30.1 (CK30.1)**, **Sirocco 30.1 (SC30.1)**, or wood stoves.

The BLAZE KING **20.1 Series Fan Kit (Z2514)** also consists of 2 axial fans located in separate housings that are mounted on the rear of the **Chinook 20.1 (CK20.1)** or the **Sirocco 20.1 (SC20.1)** wood stoves.

If at all possible try to install the fan assemblies before the stove is in place as you might have to rotate the fan past the rear clearance and against the back wall to install it into its lower offset bracket.

INSTALLATION

1. On the rear of the stove remove the 2 cover plates from the blower exhaust or convection deck (4 sheet metal screws).



BLAZE KING WOOD STOVES cont.

2. Insert fan assembly so top flange goes into the blower exhaust or convection deck and secure with the screws removed from step 1.

