

# Lopi Front Blower Installation Instructions

## Compatibility

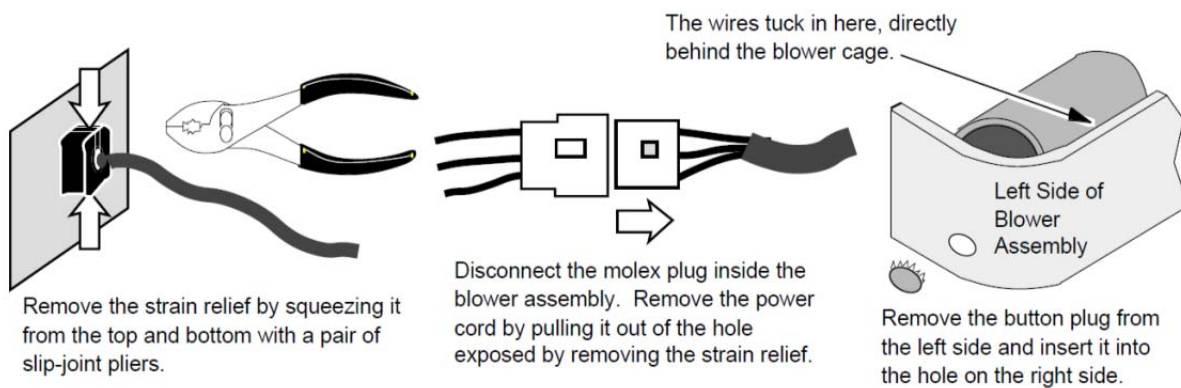
SKU 99000123 – Answer, Revere, 1750 Insert, 1250 Insert  
SKU 99000126 – Freedom

## Items Required

- 3/8" Nutdriver
- Phillips Screwdriver
- Slip Joint Pliers (if switching power cord to left side)

### To Switch the Power Cord to the Left Side:

Use a pair of slip-joint pliers to disconnect the strain relief which holds the power cord in place. With the power cord slackened, the Molex connectors that attach the power cord to the blower assembly may be disconnected. Pry the button plug from the left side of the blower assembly and insert it into the hole on the right side. Pull the left side Molex connector out from behind the deflection plate and cut the nylon tie that holds the wire back. Insert the Molex connector on the power cord through the hole on the left side of the blower assembly and attach it to the left side Molex connector. Route the wire directly behind the blower cage. Place the strain relief over the power cord (it should be in the same location on the power cord as before – approximately 2" from where the wires split). Insert the strain relief into the hole on the left side until the strain relief locks in place. Make sure the power cord, wires, or Molex assembly do not protrude into the blower opening.



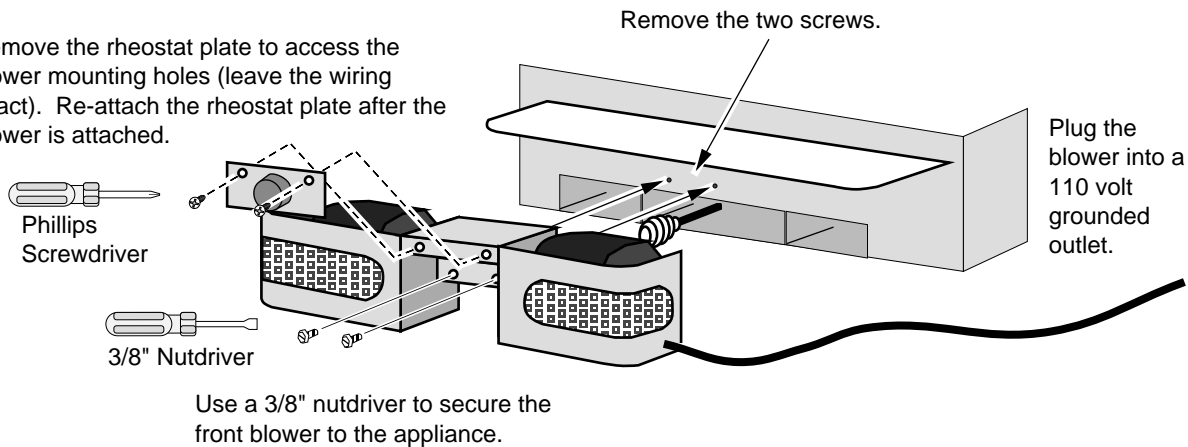
# Lopi Front Blower Installation Instructions

## Installation

1. Attach the blower following the instructions below.

**NOTE: Before tightening the screws with a 3/8" nutdriver, lift the blower up so it tucks underneath the ashlip.**

Remove the rheostat plate to access the blower mounting holes (leave the wiring intact). Re-attach the rheostat plate after the blower is attached.



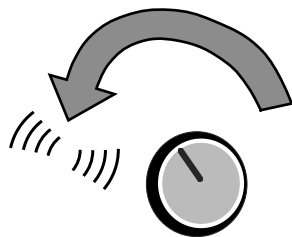
2. Plug the power cord running from the control box into a grounded 110-volt electrical outlet.

## Blower Operation

The blower will not start until the appliance is up to temperature, activating a thermodisk which then allows power to the motors. Once up to temperature, the blower will operate at the speed determined by the position of the blower knob (see the illustration below). The blower will shut off automatically once the appliance cools.

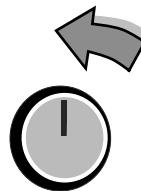
### OFF

Turn the dial all the way counter-clockwise until it clicks off.



### HIGH

The high position is all the way counter-clockwise, **without** clicking off.



### LOW

Turn the dial all the way clockwise.

